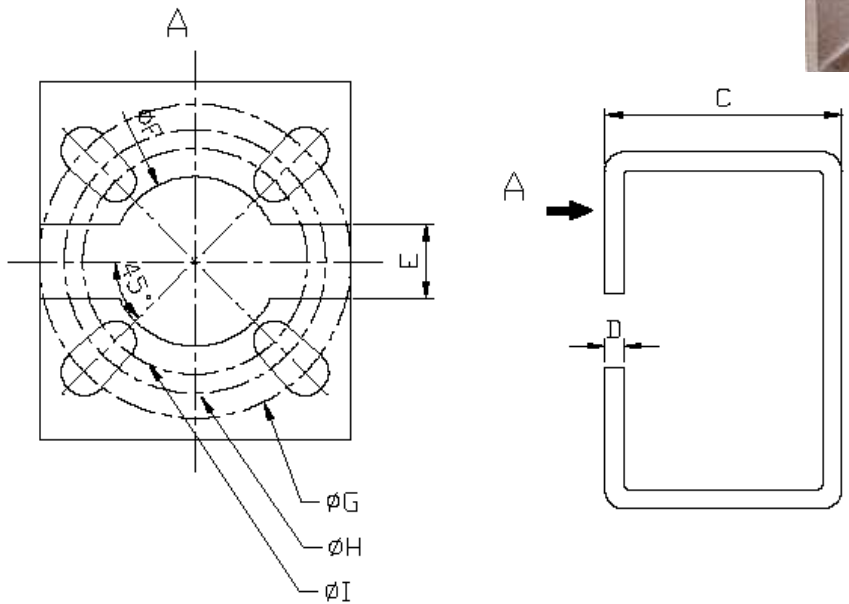
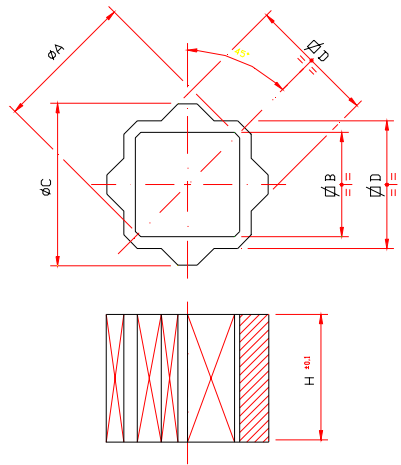


MOUNTING BRACKETS



Model / Dimens.	A	B	C	D	E	F	G	H	I	K	L
#1 (F03, F04, F05)	2.24	1.97	1.46	0.12	0.47	1.06	1.97	1.65	1.42	0.15	0.13
#2 (F04, F05,.)	2.95	2.56	1.57	0.12	0.63	1.30	2.76	1.97	1.65	0.19	0.13
#3 (F07, F10, F12)	4.84	4.33	2.76	0.16	1.18	2.28	4.92	4.02	2.76	0.30	0.24
#4 (F07, F10, F12)	4.84	4.33	3.15	0.16	1.18	2.28	4.92	4.02	2.76	0.30	0.24
#5 (F012, F14, F16)	6.93	5.83	3.78	0.20	2.64	4.25	6.50	5.51	4.92	0.43	0.26



CODICE - CODE	ϕA	ϕB	ϕC	ϕD	H	ISO/ISO
AC23-R1BA4S	12.1 .476	9 .354	14 .551	11 .433	11 .433	F03/F04
AC23-R1CB4S	14.1 .555	11 .433	18 .709	14 .551	17 .669	F04/F05
AC23-R1DC4S	18.1 .713	14 .551	22 .866	17 .669	21 .827	F05/F07
AC23-R1ED4S	22.2 .874	17 .669	28 1.102	22 .866	27 1.063	F07/F10
AC23-R1FE4S	28.2 1.110	22 .866	36 1.417	27 1.063	34 1.339	F10/F12

