



E2100 Stainless Steel Ball Valve

TWO PIECE THREADED BALL VALVES
For food and general chemical industrial applications.

FEATURE:

- Adjustable Stem Packing, Blow-out proof stem S/S 316 investment casting body and caps.
- Designed for ISO-5211 mounting flange for actuator
- 100% tested air under water at 100 PSI
- Canadian CRN Registration Number
- Manufactured under ISO 9000 quality program

- End connections: NPT
- MATERIAL:**
- Standard valve available in 316 Stainless Steel (ASTM A351-CF8M)
 - Pressure Rating: 1000 PSI for size 1/4"-1" 800 PSI - size 1 1/4" -2"

Available Options :

Padlocking handle, Anti-static Device. Actuator mounting bracket. Pneumatic or Electric Actuator

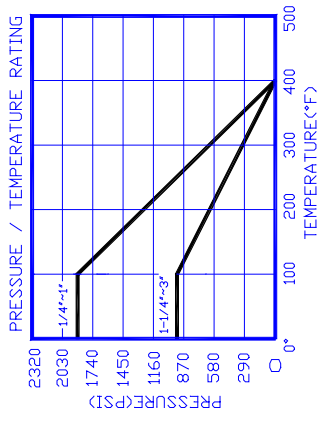
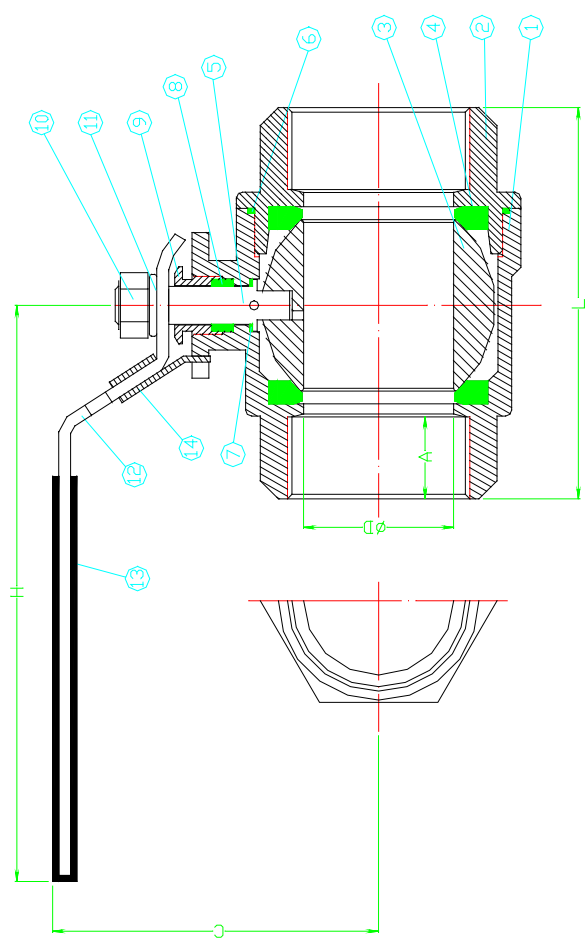
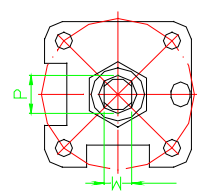
Model Selector

E2100	Body Material	Ball Material	Seat Material	Packing Material	End Connections	Size																																		
	<table border="1" style="width: 100%; border-collapse: collapse;"> <tr><th colspan="2">Body Material</th></tr> <tr><td>316 SS *</td><td style="text-align: center;">1</td></tr> <tr><td>Carbon steel</td><td style="text-align: center;">2</td></tr> </table>	Body Material		316 SS *	1	Carbon steel	2	<table border="1" style="width: 100%; border-collapse: collapse;"> <tr><th colspan="2">Ball Material</th></tr> <tr><td>316 SS *</td><td style="text-align: center;">1</td></tr> </table>	Ball Material		316 SS *	1	<table border="1" style="width: 100%; border-collapse: collapse;"> <tr><th colspan="2">Seat Material</th></tr> <tr><td>PTFE</td><td style="text-align: center;">1</td></tr> <tr><td>RPTFE *</td><td style="text-align: center;">2</td></tr> <tr><td>Other</td><td style="text-align: center;">3</td></tr> </table>	Seat Material		PTFE	1	RPTFE *	2	Other	3	<table border="1" style="width: 100%; border-collapse: collapse;"> <tr><th colspan="2">Packing Material</th></tr> <tr><td>PTFE *</td><td style="text-align: center;">1</td></tr> <tr><td>Graphoil</td><td style="text-align: center;">2</td></tr> <tr><td>Other</td><td style="text-align: center;">3</td></tr> </table>	Packing Material		PTFE *	1	Graphoil	2	Other	3	<table border="1" style="width: 100%; border-collapse: collapse;"> <tr><th colspan="2">Connection</th></tr> <tr><td>Threaded</td><td style="text-align: center;">T</td></tr> </table>	Connection		Threaded	T	<table border="1" style="width: 100%; border-collapse: collapse;"> <tr><th colspan="2">Size</th></tr> <tr><td>1/2" to 2"</td><td style="text-align: center;">X</td></tr> </table>	Size		1/2" to 2"	X
Body Material																																								
316 SS *	1																																							
Carbon steel	2																																							
Ball Material																																								
316 SS *	1																																							
Seat Material																																								
PTFE	1																																							
RPTFE *	2																																							
Other	3																																							
Packing Material																																								
PTFE *	1																																							
Graphoil	2																																							
Other	3																																							
Connection																																								
Threaded	T																																							
Size																																								
1/2" to 2"	X																																							

* Shows Standard materials

A	DIMENSION IN INCH										
	NPT/PT	C	D	H	L	M	N	P	TORQUE IN/LB	LB	
1/4"	0.56	2.70	0.46	4.60	2.21	0.20	0.63	0.40	0.32	30	0.75
3/8"	0.56	2.70	0.50	4.60	2.21	0.20	0.63	0.40	0.32	30	0.70
1/2"	0.69	2.83	0.60	4.60	2.66	0.20	0.63	0.40	0.38	40	0.86
3/4"	0.75	3.08	0.80	4.60	2.94	0.27	0.71	0.44	0.38	75	1.17
1"	0.84	3.26	1.0	6.52	3.39	0.32	0.92	0.64	0.43	110	1.69
1-1/4"	0.92	3.56	1.28	6.52	3.98	0.32	0.92	0.64	0.43	140	2.71
1-1/2"	0.98	4.01	1.52	7.74	4.51	0.36	1.03	0.70	0.56	200	4.22
2"	1.08	4.31	1.96	7.74	5.16	0.36	0.97	0.70	0.56	250	6.38
2-1/2"	1.32	5.75	2.60	9.80	6.51	0.48	1.66	1.20	0.76	400	13.75
3"	1.32	5.88	3.20	9.80	7.08	0.48	1.64	1.20	0.76	750	20.57

DIMENSION IN INCH



NO	PART	MATERIAL	QTY
1	Body	WCB=1.0619 CF8M=1.4408	1
2	Cop	WCB=1.0619 CF8M=1.4408	1
3	Ball (Relief Hole)	CF8M=1.4408	1
4	Seat	PTFE	2
5	Stem (Anti-static element)	AISI316=1.4401	1
6	Body Seal	PTFE	1
7	Thrust Washer	PTFE	1
8	Stem Packing	PTFE	2
9	Gland Nut	AISI304=1.4301	1
10	Hex Nut	AISI304=1.4301	1
11	Stem Washer	AISI304=1.4301	1
12	Handle	AISI304=1.4301	1
13	Plastic cover	Plastic	1
14	Locking Device	AISI304=1.4301	1

REV.	REVISION NOTE:	BY	CHK	APP	DATE (DD/MM/YY)
1	ISSUED FOR REVIEW	CW	JW	JW	27/08/04

PROJECT NO.	CLIENT
CW	E2100

DATE (DD/MM/YY)	DRAWING TITLE
11/08/04	E2100

DRAWN BY	CHECKED BY	APPROVED BY	PROJ. ENGR.
JW	JW	JW	N.T.S.

DWG SCALE	DWG SCALE
E2100	N.T.S.

Elite Valve Canada