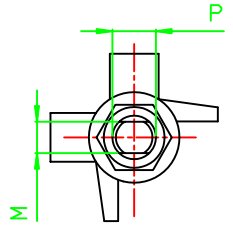
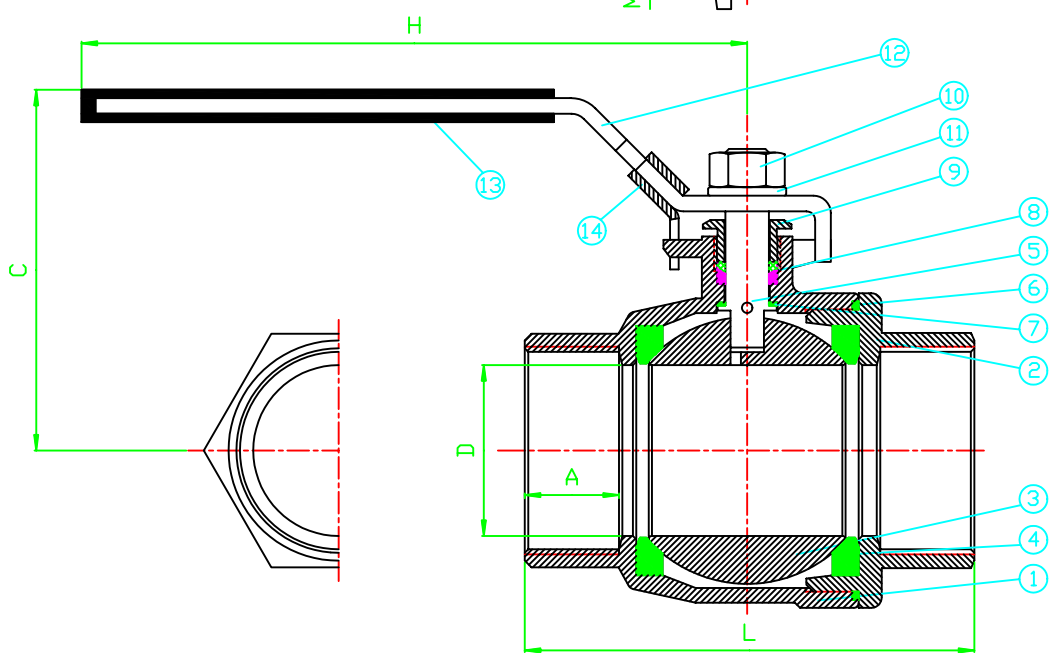


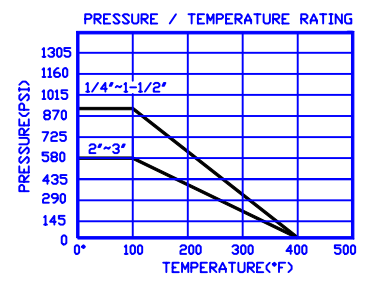
	A	C	D	H	L	P	M	TORQUE	LB
	NPT/PF/PT							IN/LB	
1/4"	0.56	2.24	0.46	4.20	2.21	0.32	0.20	36	0.59
3/8"	0.56	2.20	0.50	4.24	2.21	0.32	0.20	36	0.55
1/2"	0.69	2.29	0.60	4.24	2.59	0.38	0.26	60	0.66
3/4"	0.75	2.68	0.80	4.96	2.94	0.38	0.26	72	1.1
1"	0.84	3.11	1.00	6.08	3.39	0.44	0.32	90	1.76
1-1/4"	0.92	3.31	1.28	6.12	3.98	0.44	0.32	180	2.64
1-1/2"	0.98	3.85	1.52	7.64	4.51	0.50	0.36	240	3.85
2"	1.08	4.09	1.96	7.64	5.16	0.50	0.36	300	6.16
2-1/2"	1.35	5.68	2.60	10.2	6.80	0.76	0.48	540	14.52
3"	1.47	6.10	3.20	10.2	7.68	0.76	0.48	720	21.78



DIMENSION IN INCH



NO	PART	MATERIAL	Q'TY
1	Body	WCB=1.0619 CF8M=1.4408	1
2	Cap	WCB=1.0619 CF8M=1.4408	1
3	Ball (Relief Hole)	CF8M=1.4408	1
4	Seat	PTFE	2
5	Stem (Antistatin element)	AISI316=1.4401	1
6	Body Seal	PTFE	1
7	Thrust Washer	PTFE	1
8	Stem Packing	PTFE	2
9	Gland Nut	AISI304=1.4301	1
10	Hex Nut	AISI304=1.4301	1
11	Stem Washer	AISI304=1.4301	1
12	Handle	AISI304=1.4301	1
13	Plastic cover	Plastic	1
14	Locking Device	AISI304=1.4301	1



REV.	REVISION NOTE:	BY	CHK	APP	DATE (DD/MM/YR)
1	ISSUED FOR REVIEW	CW	JW	JW	05/08/04

Elite Valve Canada

PROJECT NO.	DATE (DD/MM/YR)	CLIENT	DRAWING	TITLE	PLOT SCALE	DWG SCALE	E1500T	REV.
	05/08/04			E1500T	N.T.S.	N.T.S.	E1500T	1