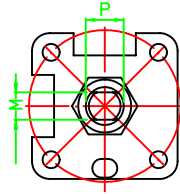
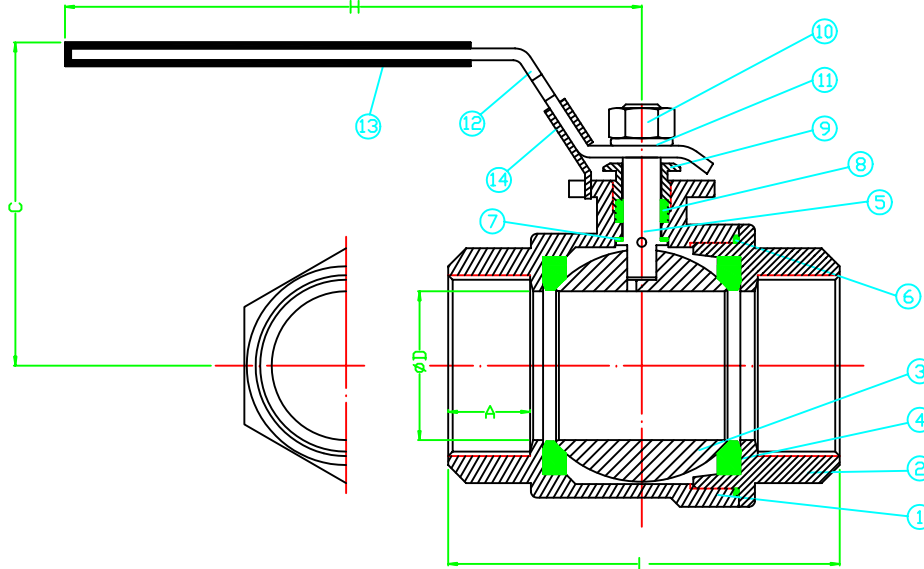


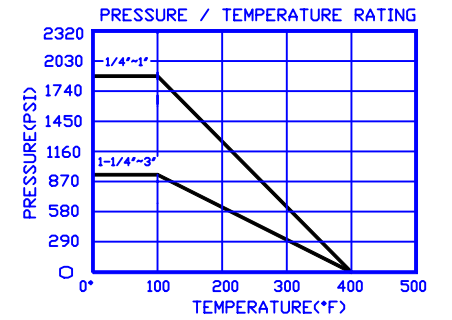
	A	C	D	H	L	M	N	O	P	TORQUE	LB
	NPT/PF/PT									IN/LB	
1/4"	0.56	2.70	0.46	4.60	2.21	0.20	0.63	0.40	0.32	30	0.75
3/8"	0.56	2.70	0.50	4.60	2.21	0.20	0.63	0.40	0.32	30	0.70
1/2"	0.69	2.83	0.60	4.60	2.66	0.20	0.63	0.40	0.38	40	0.86
3/4"	0.75	3.08	0.80	4.60	2.94	0.27	0.71	0.44	0.38	75	1.17
1"	0.84	3.26	1.0	6.52	3.39	0.32	0.92	0.64	0.43	110	1.69
1-1/4"	0.92	3.56	1.28	6.52	3.98	0.32	0.92	0.64	0.43	140	2.71
1-1/2"	0.98	4.01	1.52	7.74	4.51	0.36	1.03	0.70	0.56	200	4.22
2"	1.08	4.31	1.96	7.74	5.16	0.36	0.97	0.70	0.56	250	6.38
2-1/2"	1.32	5.75	2.60	9.80	6.51	0.48	1.66	1.20	0.76	400	13.75
3"	1.32	5.88	3.20	9.80	7.08	0.48	1.64	1.20	0.76	750	20.57



DIMENSION IN INCH



NO	PART	MATERIAL		Q'TY
1	Body	WCB=1.0619	CF8M=1.4408	1
2	Cap	WCB=1.0619	CF8M=1.4408	1
3	Ball (Relief Hole)	CF8M=1.4408		1
4	Seat	PTFE		2
5	Stem(Antistatin element)	AISI316=1.4401		1
6	Body Seal	PTFE		1
7	Thrust Washer	PTFE		1
8	Stem Packing	PTFE		2
9	Gland Nut	AISI304=1.4301		1
10	Hex Nut	AISI304=1.4301		1
11	Stem Washer	AISI304=1.4301		1
12	Handle	AISI304=1.4301		1
13	Plastic cover	Plastic		1
14	Locking Device	AISI304=1.4301		1



REV.	REVISION NOTE:	BY	CHK	APP	DATE (DD/MM/YR)
1	ISSUED FOR REVIEW	CW	JW	JW	27/08/04

Elite Valve Canada

PROJECT NO.	DATE (DD/MM/YR)	CLIENT	TITLE	DWG SCALE	E2100	REV.
	11/08/04		E2100	N.T.S.	N.T.S.	1