



Model E3100

E3100

THREE-PIECE BOLTED BALL VALVES

For food and general chemical industrial applications.
High quality investment casting body and caps.

END CONNECTIONS: NPT & Socket Weld

MATERIAL: 316 Stainless Steel (ASTM A351-CF8M)

Pressure Rating: 1000 PSI for size ¼" - 2"
800 PSI for size 3" - 4"

Temperature Range: -60 to 450 Degrees F
15% Reinforced Glass-fiber / Teflon seats

FEATURE:

Adjustable Stem Packing, Blow-out proof stem S/S 316
Designed for ISO-5211 mounting flange for actuator
100% tested air under water at 100 PSI, In-line repairable

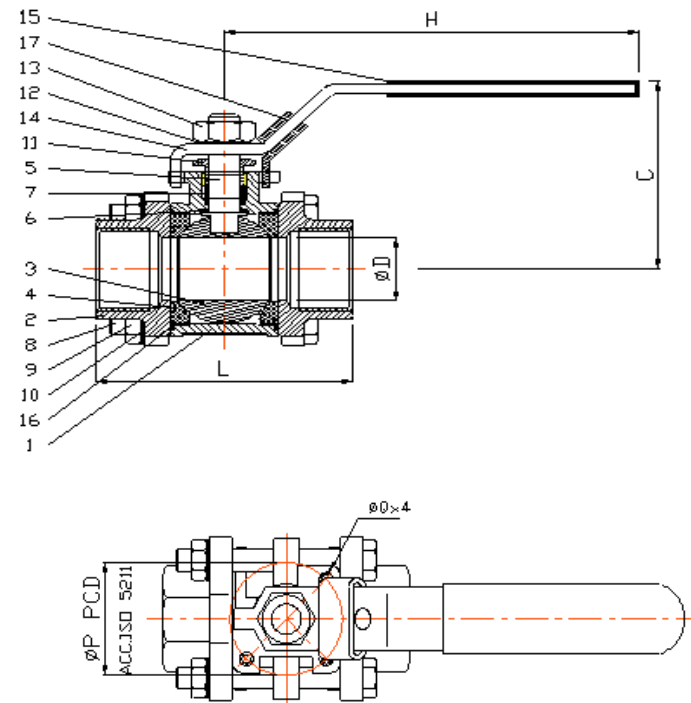
OPTIONS:

Padlocking handle, Anti-static Device.
Actuator mounting bracket.
Pneumatic or Electric Actuator

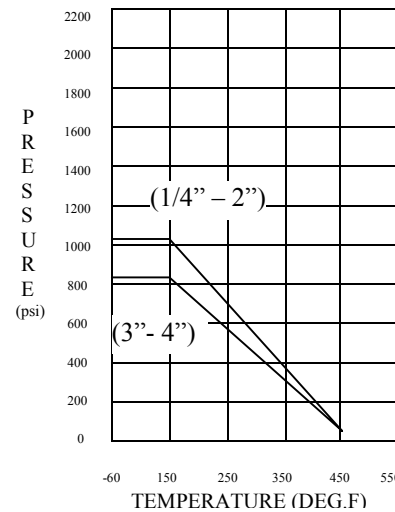


Bill of Materials

No	Part	Material	Qty
1	Body	316	1
2	Cap	316	1
3	Ball	316	1
4	Seat	15% Glass Reinforced Teflon	2
5	Body Washer	Teflon	1
6	Stem	316	1
7	Thrust Washer	Teflon	1
8	Bolt	AISI 304	4-6
9	Hex Nut	ANSI 304	8-12
10	Bolt Washer	ANSI 304	8-12
11	Gland Nut	AISI 304	1
12	Stem Washer	ANSI 304	1
13	Stem Nut	A2-70	1
14	Handle	ANSI 304	1
15	Handle Grip	Plastic	1
16	Body Seal	Teflon	2
17	Locking Device	AISI 304	1



PRESSURE / TEMPERATURE RATING



Dimensions

Size	D	L	C	H	ISO 5211	CV	Torque	WT.KG
1/4"	11.6	60	52	102	F04	9	50	0.45
3/8"	12.7	60	51.2	102	F04	9	50	0.45
1/2"	15	75	55	116	F04	15	50	0.65
3/4"	20	80	65	116	F04	50	130	0.75
1"	25.4	90	67.5	150	F04	60	180	1.15
1 1/4"	32	110	77	150	F05	110	230	2.00
1 1/2"	38	120	93	187	F05	130	230	2.40
2"	49	140	102	187	F05	360	450	3.60

E3100

Elite

Valve Canada