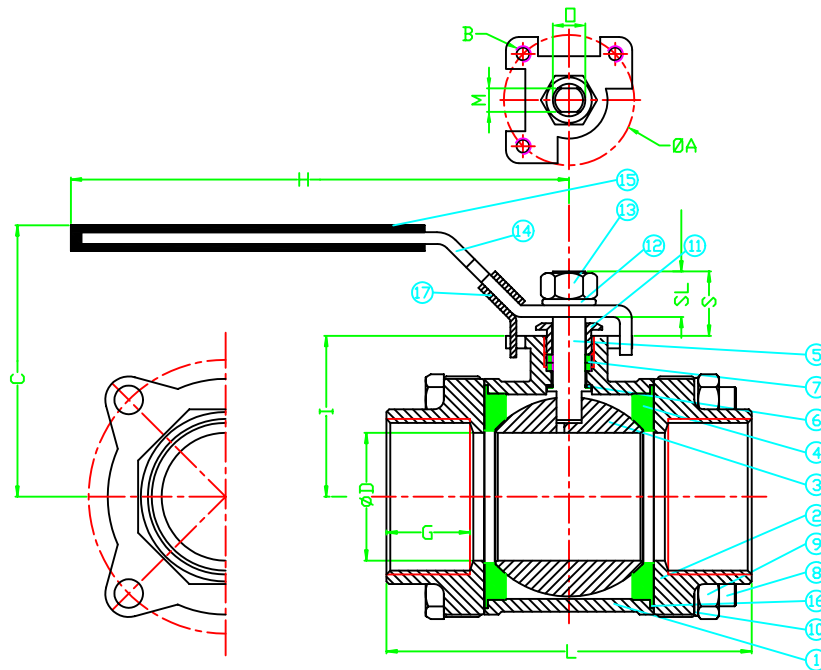
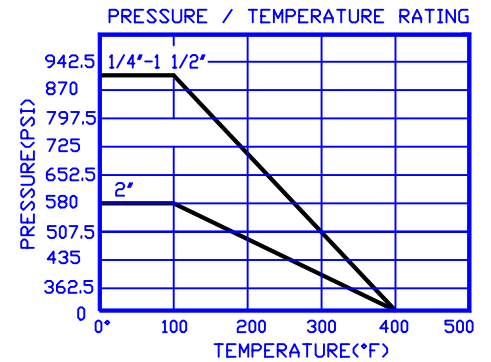


	ISO-5211			C	D	G	H	L	I	□	M (mm)	SL	S	TORQUE N.M	KG
	F04	A	B												
1/4"	F04	42	M5	2.20	0.42	0.46	4.34	2.00	1.12	0.32	5.0	0.40	0.52	0.12	0.45
3/8"	F04	42	M5	2.00	0.51	0.60	4.25	2.40	1.10	0.32	5.0	0.40	0.52	0.12	0.44
1/2"	F04	42	M5	2.22	0.60	0.88	4.78	3.00	1.10	0.38	6.5	0.44	0.61	0.20	0.64
3/4"	F04	42	M5	2.46	0.80	0.86	4.78	3.20	1.43	0.38	6.5	0.42	0.63	0.40	0.72
1"	F04	42	M5	2.96	1.00	0.90	6.18	3.60	1.56	0.44	8.0	0.64	0.93	0.44	1.10
1-1/4"	F04	42	M5	3.20	1.28	1.14	6.18	4.40	1.80	0.44	8.0	0.62	0.91	0.80	1.74
1-1/2"	F05	50	M6	3.83	1.52	1.14	7.64	4.80	2.14	0.50	9.0	0.70	1.01	1.04	2.40
2"	F05	50	M6	4.20	1.96	1.28	7.64	5.60	2.50	0.50	9.0	0.70	1.01	1.20	3.55

DIMENSION IN INCH



NO.	PART	MATERIAL		Q'TY
1	Body	WCB=1.0619	CF8M=1.4408	1
2	Cap	WCB=1.0619	CF8M=1.4408	2
3	Ball-Relief Hole	CF8M=1.4408		1
4	Seat	PTFE 15% gf		2
5	Stem (Antistatic element)	AISI316=1.4401		1
6	Thrust Washer	PTFE		1
7	Stem Packing	PTFE		2
8	Bolt	AISI304=1.4301		4~6
9	Hex Nut	AISI304=1.4301		4~12
10	Spring Washer	AISI304=1.4301		4~12
11	Gland Nut	AISI304=1.4301		1
12	Stem Washer	AISI304=1.4301		1
13	Stem Nut	AISI304=1.4301		1
14	Handle	AISI304=1.4301		1
15	Plastic Cover	Plastic		1
16	Body Seal	PTFE		2
17	Locking Device	AISI304=1.4301		1



REV.	REVISION NOTE:	BY	CHK	APP	DATE (DD/MM/YR)
1	ISSUED FOR REVIEW	CW	JW	JW	05/08/04

Elite Valve Canada

PROJECT NO.	DATE (DD/MM/YR)	CLIENT	TITLE		
	05/08/04		E3100TH		
DRAWN BY	CW	DRAWING			
CHECKED BY	JW	TITLE			
APPROVED BY	JW	PLOT SCALE	DWG SCALE	E3100TH	REV.
PROJ. ENGR.		N.T.S.	N.T.S.		1