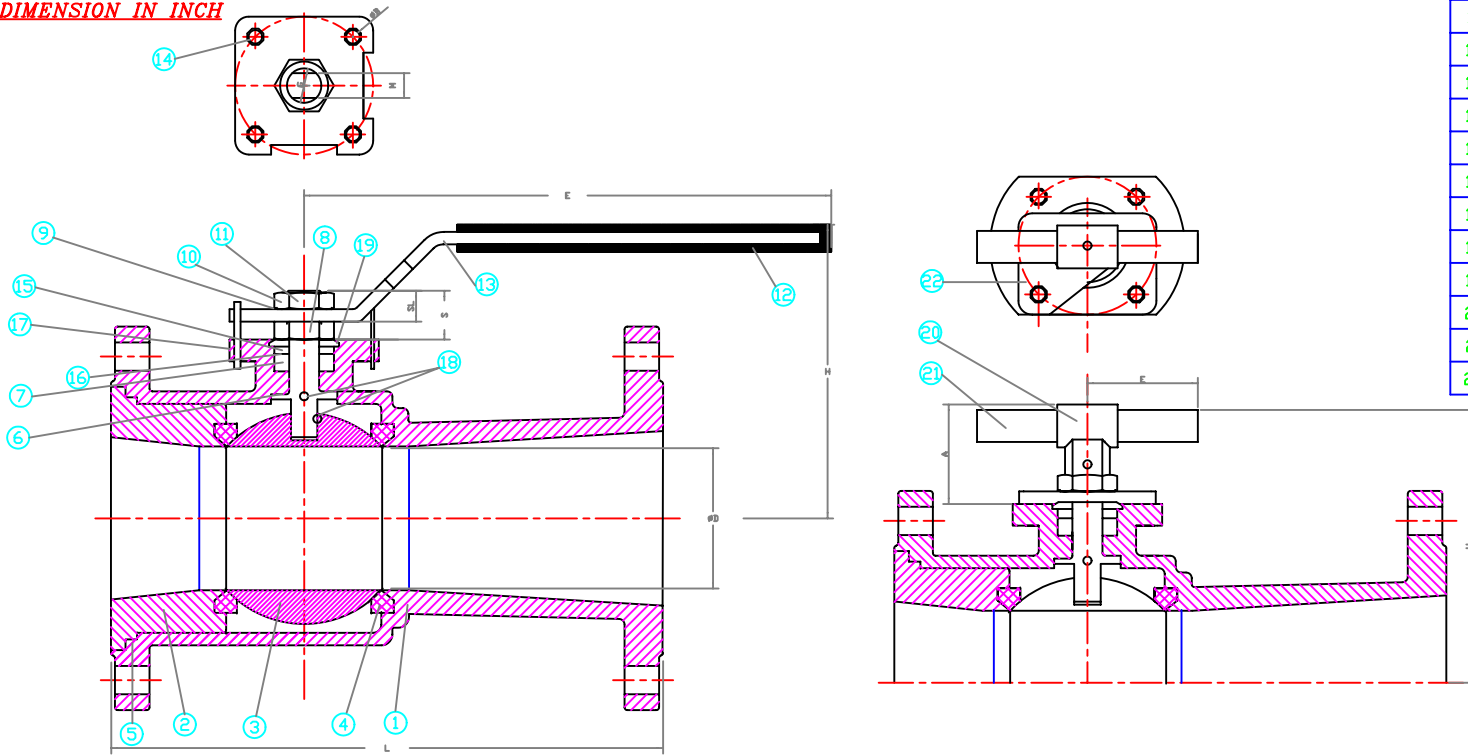


NOMINAL SIZE		ISO 5211	øD	L	E	H	M (mm)	G	SL	S	B
INCH	MM										
1/2	15	F03	0.50	4.25	6.0	3.0	5.0	0.32	0.29	0.62	M5
3/4	20	F04	0.59	4.65	6.0	3.28	6.3	0.38	0.51	0.66	M5
1	25	F04	0.79	5.00	6.0	3.64	6.3	0.38	0.49	0.64	M5
1 1/2	40	F05	1.26	6.50	7.20	4.16	8.0	0.44	0.54	0.86	M6
2	50	F05	1.50	7.01	7.20	4.72	10.0	0.44	0.65	1.07	M6
2 1/2	65	F07	1.97	7.48	8.0	5.40	N/A	0.84	N/A	N/A	M8
3	80	F07	2.56	7.99	8.0	6.80	17.0	0.84	0.98	1.91	M8
4	100	F07	3.15	9.02	8.0	7.28	17.0	0.84	0.73	1.70	M8

NO.	PART NAME	MATERIAL		Q'TY
1	Body	WCB	CF8M	3
2	Cap	WCB	CF8M	1
3	Ball	304	316	1
4	Seat	Teflon		4
5	Body Seal	Teflon		3
6	Thrust Washer	PTFE		1
7	Stem Packing	Teflon		2
8	Gland Nut	AISI 304		1
9	Handle Washer	ASTM A36		1
10	Stem Nut	AISI 304		1
11	Stem	AISI 316		1
12	Handle Grip	Plastic		1
13	Handle	AISI 304		1
14	Stop Bolt	AISI 304		1
15	Belleville Disc	AISI 304		1
16	Thrust Washer	50% PTFE & 50% Stainless Steel		1
17	Gland			1
18	Antistatic Washer	AISI 304		1
19	Nut-Stopper	AISI 304		1
20	Handle	Carbon Steel		1
21	T-Boss Adapt..	AISI 304		1
22	Travel Stopper	AISI 304		1

DIMENSION IN INCH



REV.	REVISION NOTE:	BY	CHK	APP	DATE (DD/MM/YYR)
2	ISSUED FOR REVIEW	CW	JW	JW	09/12/04
1	ISSUED FOR REVIEW	CW	JW	JW	23/08/04

Elite Valve Canada

PROJECT NO.	DATE (DD/MM/YYR)	CLIENT	DRAWING TITLE	DWG SCALE	REV.
	23/08/04		E9100	E9100	2
DRAWN BY	CW				
CHECKED BY	JW				
APPROVED BY	JW				
PROJ. ENGR.			N.T.S.	N.T.S.	