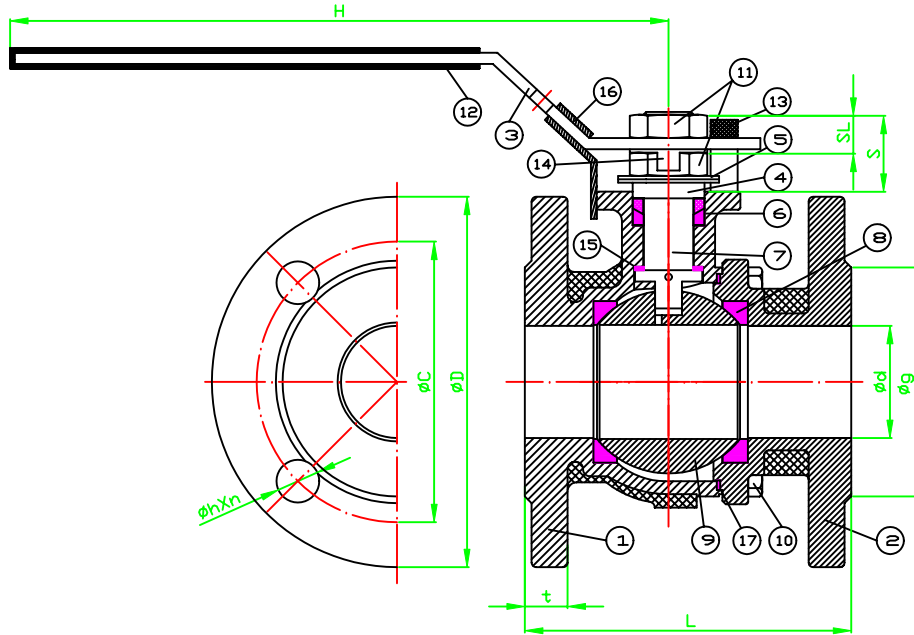
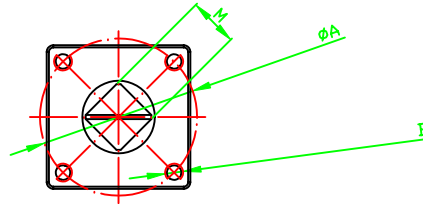


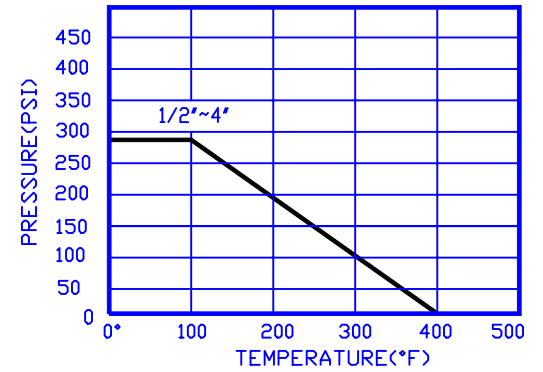
SIZE		ISD-5211														
INCH	MM	A	B	d	D	C	g	t	h	n	H	L	M	SL	S	
1/2	15	F04	42	M5	0.59	3.50	2.37	1.37	0.44	0.63	4	6.30	4.25	---	---	---
3/4	20	F04	42	M5	0.79	3.86	2.75	1.69	0.44	0.63	4	6.30	4.61	0.25	0.49	0.73
1	25	F05	50	M6	0.98	4.25	3.13	2.00	0.44	0.63	4	6.73	5.00	0.56	0.61	1.09
1-1/4	32	F05	50	M6	1.26	4.61	3.50	2.50	0.50	0.63	4	8.54	5.51	N/A	N/A	N/A
1-1/2	40	F05	50	M6	1.50	5.00	3.87	2.87	0.56	0.63	4	8.54	6.40	0.57	0.57	1.24
2	50	F07	70	M8	1.97	5.98	4.75	3.63	0.63	0.75	4	11.54	7.01	0.66	0.71	1.48
2-1/2	65	F07	70	M8	2.56	7.01	5.50	4.13	0.69	0.75	4	11.54	7.48	N/A	N/A	N/A
3	80	F10	102	M10	3.15	7.48	6.00	5.00	0.75	0.75	4	14.65	7.99	0.75	0.97	1.79
4	100	F10	102	M10	3.94	9.02	7.50	6.18	0.94	0.75	8	14.65	9.02	0.76	0.80	1.74

DIMENSION IN INCH



NO	PART	MATERIAL		Q'TY
1	Body	WCB=1.0619	CF8M=1.4408	1
2	Cap	WCB=1.0619	CF8M=1.4408	1
3	Handle	AISI304=1.4301		1
4	Gland Ring	AISI304=1.4301		1
5	Disc Springs	AISI301=1.4310		2
6	Stem Packing	PTFE		2
7	Stem (Antistatic element)	AISI316=1.4401		1
8	Seat	PTFE		2
9	Ball (Relief Hole)	CF8M=1.4408		1
10	Hex Cap Screw	AISI304=1.4301		4~8
11	Stem Nut	AISI304=1.4301		2
12	Plastic Cover	Plastic		1
13	Stop Pin	AISI304=1.4301		1
14	Nut Stopper	AISI304=1.4301		1
15	Thrust Washer	PTFE		1
16	Locking Device	AISI304=1.4301		1
17	Body Seal	PTFE		1

PRESSURE / TEMPERATURE RATING



REV.	REVISION NOTE:	BY	CHK	APP	DATE (DD/MM/YR)
2	ISSUED FOR REVIEW	CW	JW	JW	09/12/04
1	ISSUED FOR REVIEW	CW	JW	JW	24/08/04

Elite Valve Canada

PROJECT NO.	DATE (DD/MM/YR)	CLIENT	DRAWING TITLE	DWG SCALE	REV.
	04/08/04		E9200(1/2-4in)	E9200(1/2-4in)	2
DRAWN BY	CW			N.T.S.	
CHECKED BY	JW			N.T.S.	
APPROVED BY	JW				
PROJ. ENGR.					