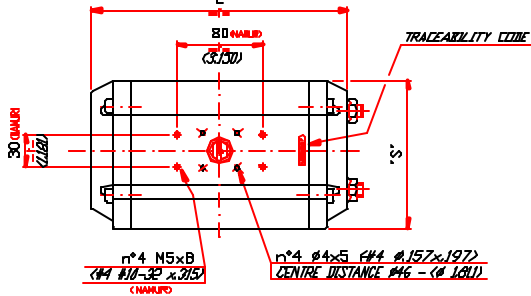
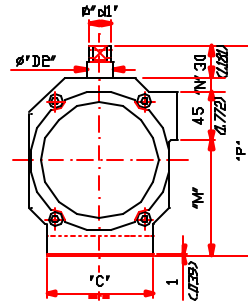
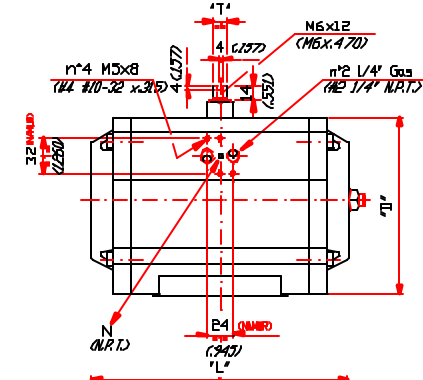
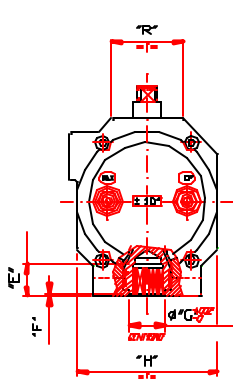
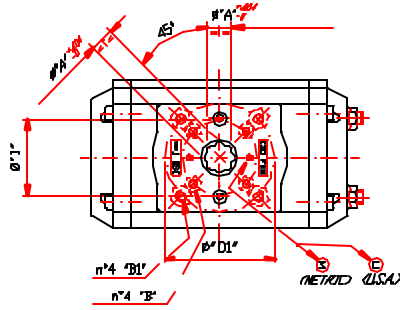


**EDA0275-1200  
ESA0275-1200**

**DIMENSIONS TO  
ISO 5211 - DIN 3337  
AND NAMUR VDI / VDE 3845**



**DIMENSIONS IN mm. (INCHES)**

		"A"	"B"	"B1"	"C"	"D"	"D1"
EDA0275 & ESA0275	mm	#17-ISO F07	M6x13 ISO F05	M6x13 ISO F07	70	112	#70 ISO F07
	IN	#.670-ISO F07	1/4"-20-ISO F05 UNCL512	5/16"-18-ISO F07 UNCL512	2.756	4.409	#2.756 ISO F07
EDA0350 & ESA0350	mm	#17-ISO F07	M6x13 ISO F05	M6x13 ISO F07	70	112	#70 ISO F07
	IN	#.670-ISO F07	1/4"-20-ISO F05 UNCL512	5/16"-18-ISO F07 UNCL512	2.756	4.409	#2.756 ISO F07
EDA0600 & ESA0600	mm	#22-ISO F10	M6x18 ISO F07	N10x18 ISO F10	100	165	#102 ISO F10
	IN	#.866-ISO F10	5/16"-18-ISO F07 UNCL709	5/16"-18-ISO F07 UNCL709	3.937	6.488	#4.018 ISO F10
EDA0800 & ESA0800	mm	#22-ISO F10	M6x18 ISO F07	N10x18 ISO F10	100	165	#102 ISO F10
	IN	#.866-ISO F10	5/16"-18-ISO F07 UNCL709	5/16"-18-ISO F07 UNCL709	3.937	6.488	#4.018 ISO F10
EDA1200 & ESA1200	mm	#22-ISO F10	M6x18 ISO F07	N10x18 ISO F10	100	177	#102 ISO F10
	IN	#.866-ISO F10	5/16"-18-ISO F07 UNCL709	5/16"-18-ISO F07 UNCL709	3.937	6.989	#4.018 ISO F10

		"A1"	"A2"	"E"	"F"	"G"	"H"	"L"	"M"	"N"	"P"	"R"	"S"	"T"	
EDA0275 & ESA0275	mm	#14	#18	23	2	#33	#5	177	#50 ISO F05	#3	5	14.3	46	95	18
	IN	#.551	#.709	.906	0.079	#1.300	3.386	6.989	#1.989 ISO F05	2.480	0.197	0.530	1.811	3.780	0.394
EDA0350 & ESA0350	mm	#18.5	#22	23	2	#33	#5	238	#50 ISO F05	#3	5	14.3	46	95	14
	IN	#.728	#.866	.906	0.079	#1.300	3.386	9.408	#1.989 ISO F05	2.480	0.197	0.530	1.811	3.780	0.551
EDA0600 & ESA0600	mm	#19.5	#25	30	3	#34	1.31	246	#70 ISO F07	108	13	196	86	136	14
	IN	#.768	#.984	1.181	0.118	#1.340	5.157	9.685	#2.756 ISO F07	4.252	0.512	7.717	2.588	5.433	0.551
EDA0800 & ESA0800	mm	#28	#31	30	3	#34	1.31	290	#70 ISO F07	108	13	196	86	136	20
	IN	#1.102	#1.220	1.181	0.118	#1.340	5.157	11.417	#2.756 ISO F07	4.252	0.512	7.717	2.588	5.433	0.787
EDA1200 & ESA1200	mm	#28	#38	30	3	#34	1.46	351	#70 ISO F07	116	17	208	75	151	20
	IN	#1.102	#1.496	1.181	0.118	#1.340	5.748	13.819	#2.756 ISO F07	4.587	1.772	8.189	2.953	5.945	0.787

		"U"	"V"	"X"	"Y"	"NOTE"
EDA0275/ESA0275 & EDA0350/ESA0350	mm	#18	10	N5x13-ISO F04 M6x13-ISO F05		USE MODEL 1 AND 2 FROM OPTIONAL
	IN	#.630	.394	10/32"-UNF.512-ISO F04 1/4"-20 UNCL512-ISO F05		
EDA0600/ESA0600 & EDA0800/ESA0800	mm	#22	14		M12x18-ISO F12	USE MODEL 2 AND 3 FROM OPTIONAL
	IN	#.866	0.551		1/2"-13 UNCL709-ISO F12	
EDA1200/ESA1200	mm	#30	20		M12x18-ISO F12	
	IN	#1.181	0.787		1/2"-13 UNCL709-ISO F12	

REV.	REVISION NOTE	BY	CHK	APP	DATE (DD/MY/YY)
1	ISSUED FOR REVIEW	CW	JW	JW	13/12/04

**Elite Valve Canada**

Tel: (519)-3328809

PROJECT NO.	DATE (DD/MY/YY)	CLIENT	DRAWING TITLE	FLDT SCALE	DWG SCALE	EDA & ESA 0275-1200	REV.
	13/12/04					EDA & ESA 0275-1200	1