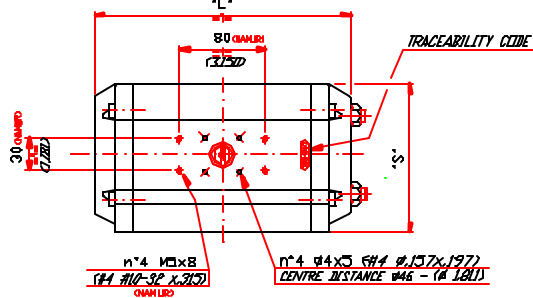
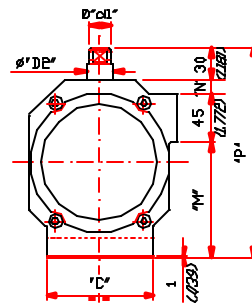
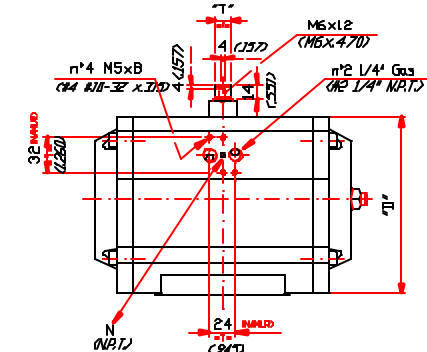
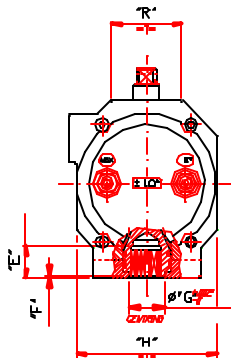
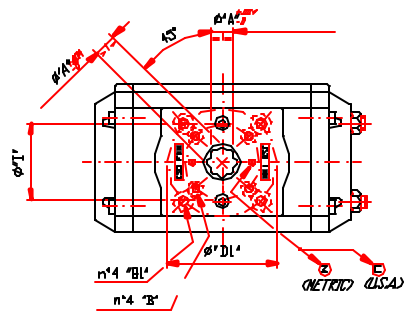


**EDA1500-5000
ESA1500-5000**

*DIMENSIONS TO
ISO 6611 - DIN 3337
AND NAMUR VDI / VDE 3845*

TECHNICAL DATA



DIMENSIONS IN mm. (1/16 INCHES)

| | | "A" | "B" | "B1" | "C" | "D" | "D1" |
|-------------------------|----|----------------|------------------------------|------------------------------|-------|-------|-------------------|
| EDA1500 & ESA1500 | mm | ø27-ISO F12 | M10x20 ISO F10 | M12x20 ISO F12 | 120 | 217 | #125 ISO F12 |
| | IN | #1.063-ISO F12 | 3/8"-16-ISO F10 UNCx.787 | 1/2"-13-ISO F12 UNCx.787 | 4.724 | 8.543 | #4.921 ISO F12 |
| EDA2000 & ESA2000 | mm | ø27-ISO F12 | M10x20 ISO F10 | M12x20 ISO F12 | 120 | 217 | #125 ISO F12 |
| | IN | #1.063-ISO F12 | 3/8"-16-ISO F10 UNCx.787 | 1/2"-13-ISO F12 UNCx.787 | 4.724 | 8.543 | #4.921 ISO F12 |
| EDA3500 & ESA3500 | mm | ø22-ISO F10 | M8x18 ISO F07 | M10x18 ISO F10 | 100 | 165 | #102 ISO F10 |
| | IN | #.866-ISO F10 | 5/16"-18-ISO F07 UNCx.789 | 5/16"-18-ISO F10 UNCx.789 | 3.937 | 6.486 | #4.016 ISO F10 |
| EDA5000 & ESA5000 | mm | ø22-ISO F10 | M8x18 ISO F07 | M10x18 ISO F10 | 100 | 165 | #102 ISO F10 |
| | IN | #.866-ISO F10 | 5/16"-18-ISO F07 UNCx.789 | 5/16"-18-ISO F10 UNCx.789 | 3.937 | 6.486 | #4.016 ISO F10 |

| | | "d1" | "d2" | "B" | "P" | "G" | "H" | "I" | "L" | "M" | "N" | "R" | "S" | "T" | |
|-------------------------|----|--------|--------|-------|-------|--------|-------|--------|-------------------|-------|-------|-------|-------|-------|-------|
| EDA1500 & ESA1500 | mm | ø28 | ø38 | 57 | 3 | ø50 | 182 | 361 | #102 ISO F10 | 149 | 24 | 248 | 102 | 185 | 20 |
| | IN | #1.102 | #1.496 | 1.457 | 0.118 | #1.969 | 7.165 | 14.213 | #4.016 ISO F10 | 5.866 | 0.945 | 9.764 | 4.016 | 7.283 | 0.787 |
| EDA2000 & ESA2000 | mm | ø28 | ø38 | 57 | 3 | ø50 | 182 | 416 | #102 ISO F10 | 149 | 24 | 248 | 102 | 185 | 20 |
| | IN | #1.102 | #1.496 | 1.457 | 0.118 | #1.969 | 7.165 | 16.407 | #4.016 ISO F10 | 5.866 | 0.945 | 9.764 | 4.016 | 7.283 | 0.787 |
| EDA3500 & ESA3500 | mm | #18.5 | #25 | 30 | 3 | ø34 | 131 | 246 | #70 ISO F07 | 108 | 13 | 186 | 86 | 136 | 14 |
| | IN | #.728 | #.984 | 1.181 | 0.118 | #1.340 | 5.157 | 9.685 | #2.756 ISO F07 | 4.252 | 0.512 | 7.717 | 2.588 | 5.433 | 0.551 |
| EDA5000 & ESA5000 | mm | ø28 | ø31 | 30 | 3 | ø34 | 131 | 260 | #70 ISO F07 | 108 | 13 | 186 | 86 | 136 | 20 |
| | IN | #1.102 | #1.220 | 1.181 | 0.118 | #1.340 | 5.157 | 11.417 | #2.756 ISO F07 | 4.252 | 0.512 | 7.717 | 2.588 | 5.433 | 0.787 |

| | | "U" | "V" | "X" | "Y" | "NOTE" |
|-----------------|----|--------|-------|----------------------|--|---------------------------------|
| EDA1500/ESA1500 | mm | ø42 | 25 | M10x20-ISO F10 | | USE MODEL 3 AND 4 FROM OPTIONAL |
| EDA2000/ESA2000 | IN | #1.654 | 1.102 | 3/8"-UNF.787-ISO F10 | | |
| EDA3500/ESA3500 | mm | ø48 | 32 | | M12x18-ISO F12 1/2"-13 UNCx.789-ISO F12 | USE MODEL 2 AND 3 FROM OPTIONAL |
| EDA5000/ESA5000 | IN | #1.880 | 1.280 | | M12x18-ISO F12 1/2"-13 UNCx.789-ISO F12 | |

| REV. | REVISION NOTE | BY | CHK | APP | DATE (DD/MM/YY) |
|------|-------------------|----|-----|-----|-----------------|
| 1 | ISSUED FOR REVIEW | CW | JW | JW | 13/12/04 |

Elite Valve Canada

Tel: (519)-3328BD9

| PROJECT NO. | DATE (DD/MM/YY) | CLIENT | |
|-----------------|-----------------|------------|--------------------------------|
| DRAWN BY: CW | 13/12/04 | DRAWING | EDA & ESA 1500-5000 |
| CHECKED BY: JW | | TITLE | |
| APPROVED BY: JW | | PLOT SCALE | DWG SCALE: EDA & ESA 1500-5000 |
| PROG. ENGR. | | N.T.S. | REV. 1 |