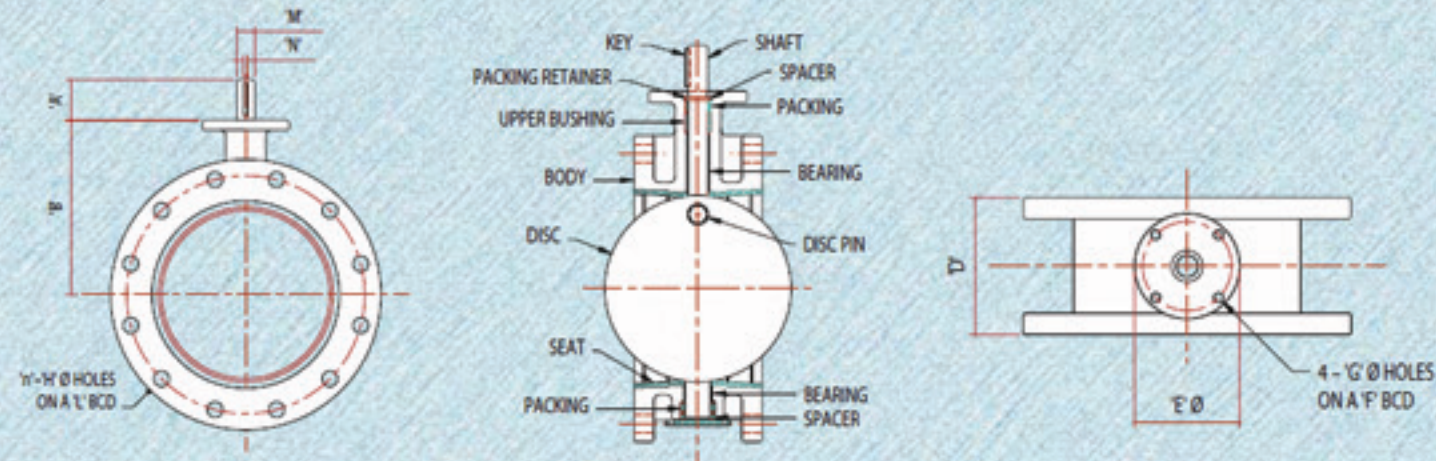
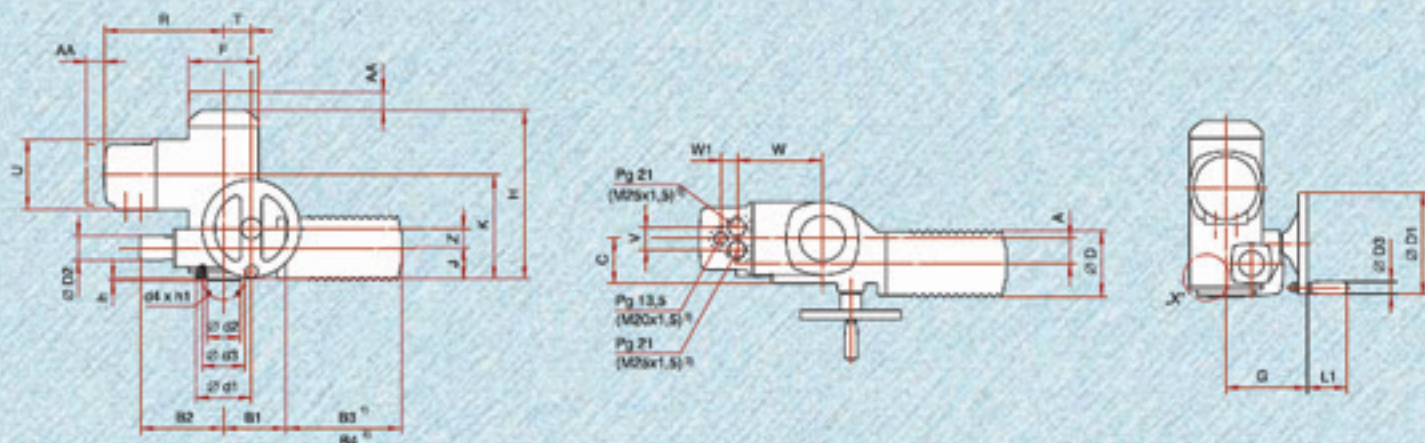


Elite Valve Corporation is please to offer Butterfly Valves to the AWWA C504 Standard for the Municipal Water Wastewater Industries.



Size	A (Inches)	B (Inches)	C (Inches)	D	E	F (Inches)	G (Inches)	M (Inches)	N (Inches)	n-H (Inches)	Torque Ft./lbs.	Cv Valves	L (Inches)	Weight (Lbs.)
3	1.25	6.3	0.38	5	4	3.25	0.438	0.56	N/A	4 - 0.75	30	365	6	30
4	1.25	7.05	0.44	5	4	3.25	0.438	0.63	N/A	8 - 0.75	40	671	7.5	48
6	2	8.07	N/A	5	6	5	0.563	1.13	0.25	8 - 0.875	290	1418	9.5	58
8	2	9.57	N/A	6	6	5	0.563	1.13	0.25	8 - 0.875	265	2397	11.75	96
10	3	10.83	N/A	8	6	5	0.563	1.38	0.31	12 - 1.0	320	4001	14.25	150
12	3	12.32	N/A	8	6	5	0.563	1.75	0.31	12 - 1.0	380	5700	17	204
14	3	14.05	N/A	8	6	6.5	0.563	1.63	0.31	12 - 1.125	500	7863	18.75	267
16	3	15.08	N/A	8	8	6.5	0.813	1.88	.5x.375	16 - 1.125	580	10,250	21.25	398
18	3.5	16.57	N/A	8	8	6.5	0.813	2.25	.5x.375	16 - 1.125	620	12,450	22.75	433
20	3.5	18.07	N/A	8	8	6.5	0.813	2.25	.5x.375	20 - 1.125	740	15,775	25	586
24	3.5	19.57	N/A	8	8	6.5	0.813	2.25	.75x.5	20 - 1.375	860	23,000	25	586



Matte Dimension	EN ISO 5211	A	B1	B2	B3 1)	B4 2)	C	Ø D	Ø D1	Ø D2	Ø D3	F	G	H	J	K	L max.	L1
SG 05.1	F 05	40	101	137	190	268	71	105	160	40	20	115	128	275	50	170	60	63
SG 07.1	F 07	63	110.5	172	190	268	94	105	160	40	20	150	153	291	56	170	80	63
SG 10.1	F 10	80	110.5	172	190	268	111	105	160	40	20	150	170	313	70	192	100	63

VALVE DATA	
Size (2 thru 20")	
Body Type	Flgd
Body Material	Cast or Ductile Iron
Min. Valve Class	150B
Disc Material	Ductile Iron or 316 SS
Seat Material	EPDM / Buna-N
Stem Material	304 / 316 / 410 SS
Max Non-Shock Pressure	
Shutoff (PSI)	
Line (PSI)	
Required Flow Rates	
Normal (GPM)	
Max (GPM) (1)	
Test Records Required	Yes / No
Connecting Piping	
Material	
OD (inches)	
ID (inches)	
Shaft Seal	Chevron
Type of Installation (2)	B / S / P
OTHER DATA	
Valve & Positioner	
Arrangement	
Position	
Affidavit Of Compliance	Yes / No
Certified Drawings	Yes / No
Valve Torque Data Sheet	Yes / No
Water Temperature	
Min. (F)	
Max. (F)	
Leakage Testing	Yes / No
One / Both Directions (7)	1 / 2
With / Without Actuator (8)	W / WO

ACTUATOR DATA	
Mfg'er Specified / Selected	
Service	
Open/Close	Yes / No
Modulating	Yes / No
Stem Extension	Yes / No
Floor Stand	Yes / No
Manual	
Manual (3)	H / C / W
Turn Direction (4)	C / CC
Position Indicator	Yes / No
Special Devices (5)	
Electric	
Operating Voltage	
Phase (Hz)	
Heater	Yes / No
Limit Switches (Qty)	Yes / No
Limit Switches (Qty)	
Control Scheme	
Time of Operation (Sec's)	
Position Indicator	Yes / No
Cylinder	
Operating Medium (6)	A / W / O
Medium Pressure (PSI)	
Max. (PSI)	
Min. (PSI)	
Limit Switches	Yes / No
Limit Switches (Qty)	
Control Scheme	
Position Indicator	Yes / No

Other Options / Accessories or Notes

A \_\_\_\_\_

B \_\_\_\_\_

C \_\_\_\_\_

D \_\_\_\_\_

E \_\_\_\_\_

**Notes**  
 When opening or closing,  
 B = Buried, S = Submerged, P = In Plant  
 H = Handwheel, C = Chainwheel, W = Wrench Nut  
 C = Clockwise, CC = Counter Clockwise Advise.  
 A = Air, W = Water, O = Oil  
 One direction = 1, Both directions = 2  
 With = W, Without = W/O



Elite Valve Corporation  
 Canada - USA  
[www.elitevalve.com](http://www.elitevalve.com)

Distributed by

## Design Parameters

Elite Butterfly Valves are designed for water and wastewater applications in accordance with the latest revision of AWWA C504 Class 150B service and comply with the following details.

**Body:** Ductile Iron ASTM A-126 Class B which conforms to AWWA C504 relative to lengths, minimum body shell thickness. End connections are 150# flanged connections per our drawings.

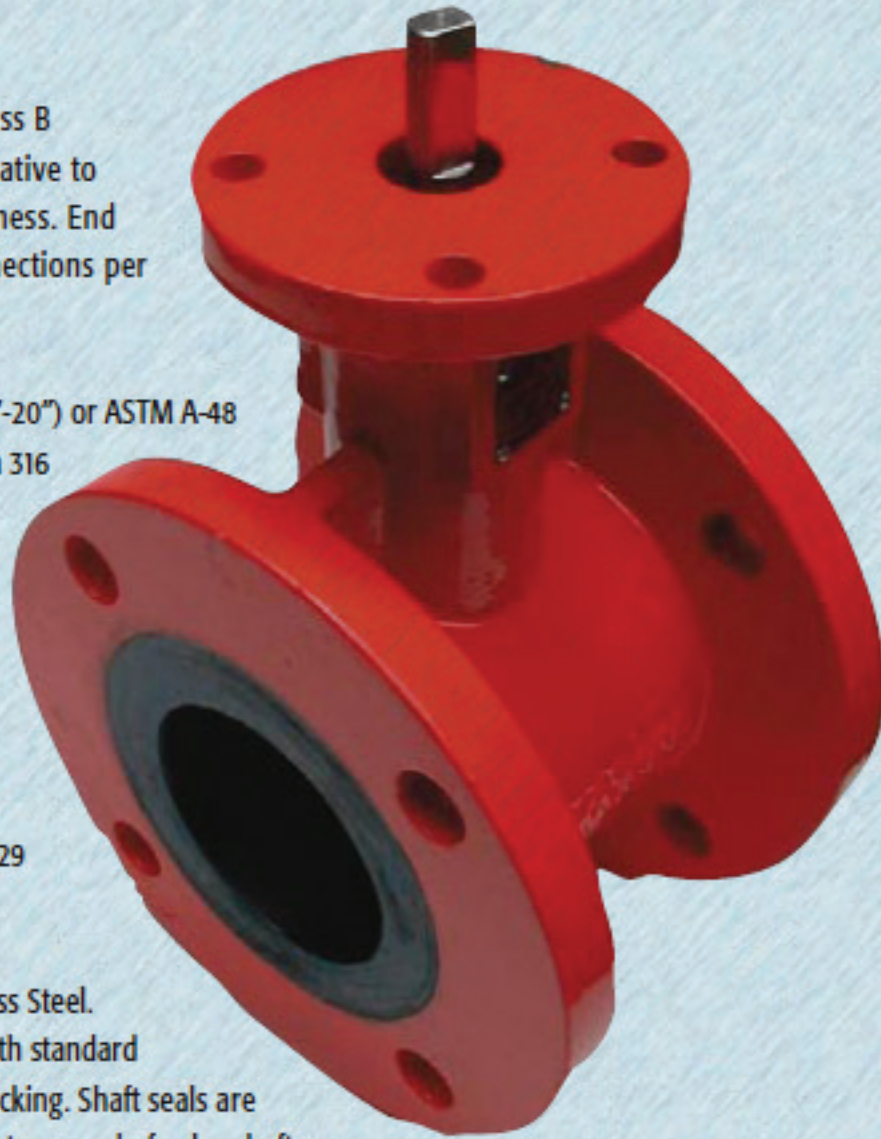
**Disc:** Cast Iron ASTM A-126 Class B (3"-20") or ASTM A-48 class 40 (24"). Discs are furnished with 316 Stainless Steel a seating edge to mate with the rubber seat of the body.

**Seat:** Buna N rubber, located on the valve body (seat-in body). Sizes 20" and smaller have bonded seats which meet the test procedures of ASTM D-429 Method B.

**Shaft:** ASTM A-276 Type 304 Stainless Steel. Elite Valve shaft seals are designed with standard self-adjusting with Chevron V-Type packing. Shaft seals are designed to allow replacement without removal of valve shaft.

**Bearings:** Sleeve type design, corrosion resistant and self-lubricating. Our bearing loads do not exceed 1/5th of the compressive load strength of the material.

**Actuators:** Fully grease packed, with stops in the open/close position. Actuators can withstand an input torque of 450 ft./lbs against each stop. The traveling nut does not engages alignment grooves in the housing.

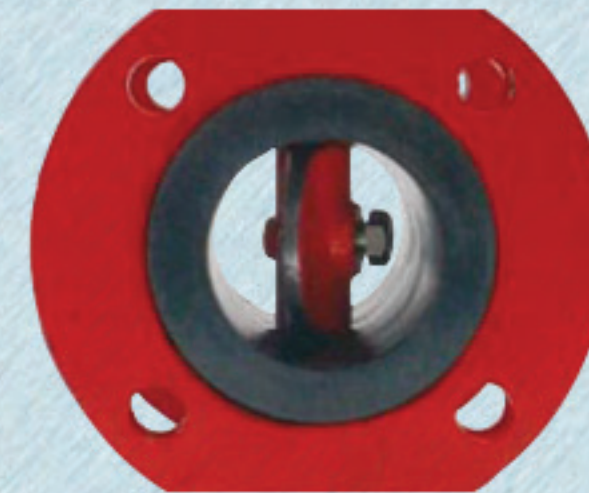


## Paint Finish

Elite Valve provides our valves as a standard with POWDER COATED EPOXY finish (Fusion bonded), to provide the best resistance against exterior corrosion, to provide years of maintenance free life, etc.

## Disc Sealing

The E8000 series butterfly is manufactured with a solid 316 stainless steel edge design, which is machined to provides optimum performance and sealing.



## Valve Assembly Testing

Every valve manufactured by Elite Valve, is hydro-statically test, for seat leakage & performance per AWWA 504 Standard prior to shipping. The valve seating are inspected, torque adjustment made, travel stop inspected and adjusted to provide years for reliable performance.



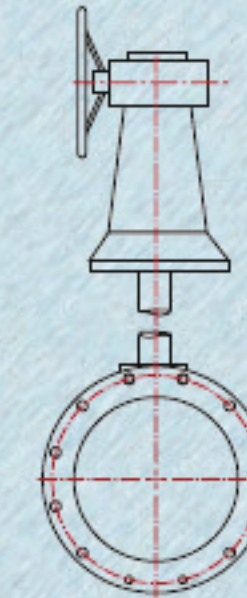
## Rubber Lined Body

Elite Valve E8000 series butterfly valve, size 3"- 20"utilizes the fully lined seat body technology per AWWA 504 standard.

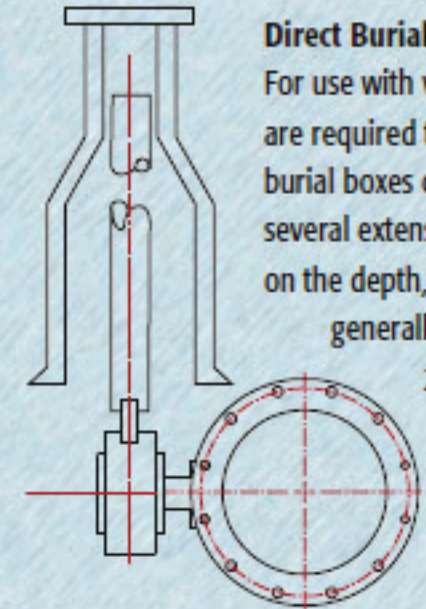
The standard EPDM seat is bond to the body, per ASTM D429, optional seats are available to suit specific applications, include Viton, & Buna "N".

Which eliminated the need for additional coatings or finish on the inside of the body. The smooth finish reduces the chance of mineral and scale build up, which can affect flow performance.

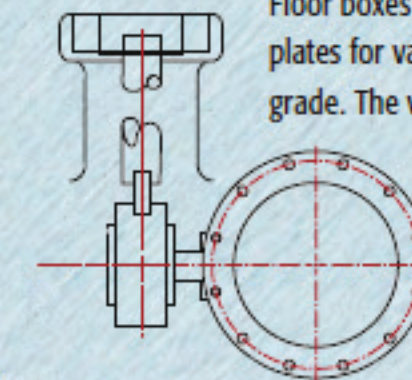
## Options and Accessories



**Operator Floor Stand**  
Our floor stands allow operators the ease of operating valves that are mounted below grade, or that are not accessible



**Direct Burial Boxes**  
For use with valves that that are required to be buried. The burial boxes can be installed with several extensions depending on the depth, The valves are generally operated with 2-inch square nut, but other operators may be used in conjunction with the burial box.



**Floor Boxes**  
Floor boxes are provided with floor plates for valves mounted below grade. The valves are operated with a 2 inch square drive nuts and 3-foot the "T" bar. (Optional lengths are available).

### Other Options

- Chain Wheels Operators
- Electric motors
- Operator floor stand
- Stem extensions with flex couples
- Valve Position Indicators
- Lever Actuators
- Neck or stem extension

