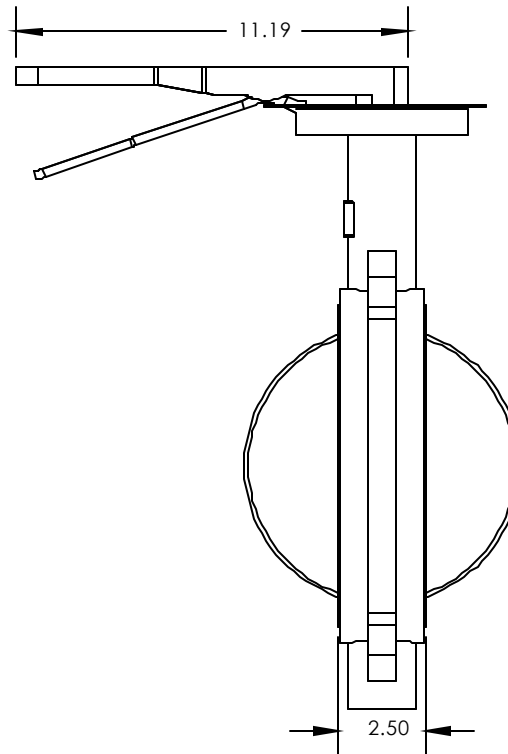
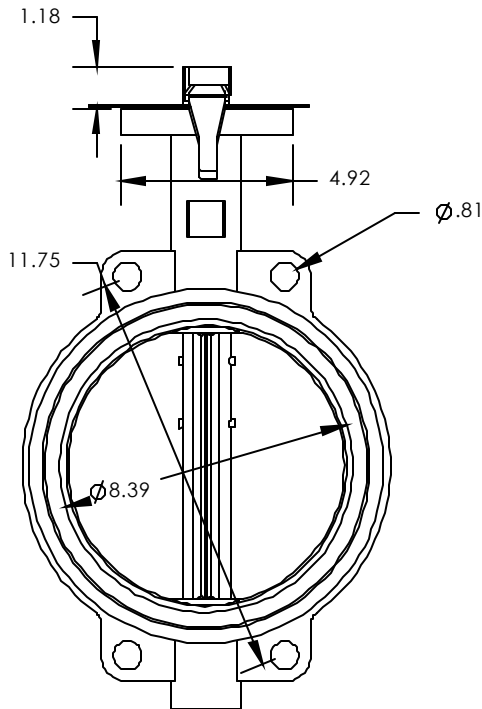
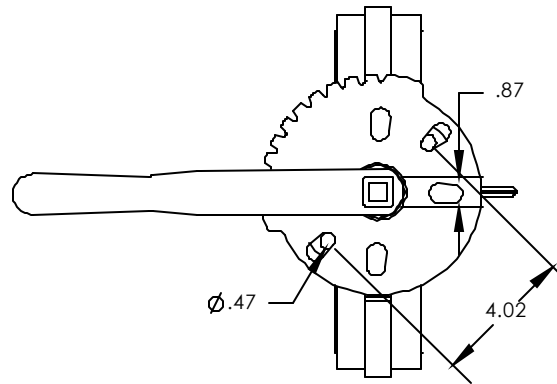


A B C D E F G H

REVISIONS			
REV.	DESCRIPTION	DATE	APPROVED



**Elite**  
Valve Canada

**PROPRIETARY AND CONFIDENTIAL**  
THE INFORMATION CONTAINED IN THIS DRAWING IS THE SOLE PROPERTY OF ELITE VALVE CANADA. ANY REPRODUCTION IN PART OR AS A WHOLE WITHOUT THE WRITTEN PERMISSION OF ELITE VALVE CANADA IS PROHIBITED.

	NAME	DATE	DESCRIPTION:	DWG. NO.
DRAWN	JBW	JUNE 11, 2011	E8400 8" BUTTERFLY VALVE	A42111124
CHECKED			MATERIAL: DI BODY, 316SS BODY	WEIGHT: # SHEET 1 OF 1 SCALE: 1:8
			CUSTOMER:	SUPPLIER: REV: A.1

A B C D E F G H