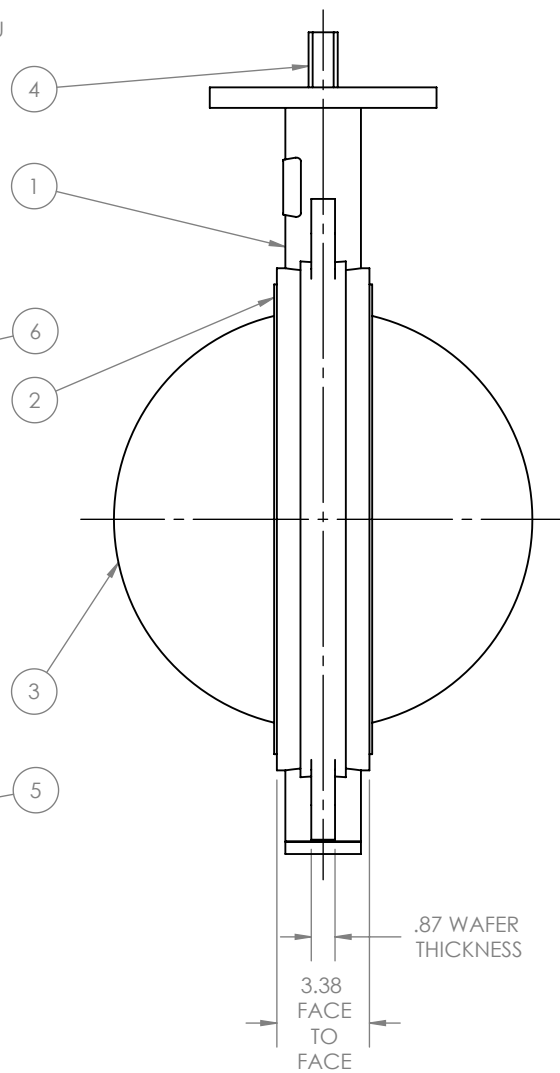
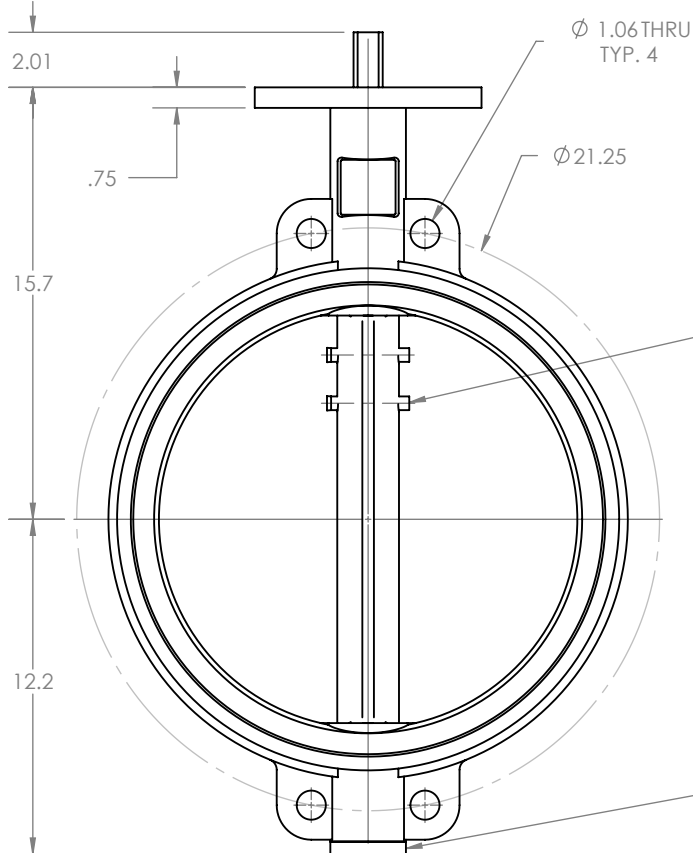
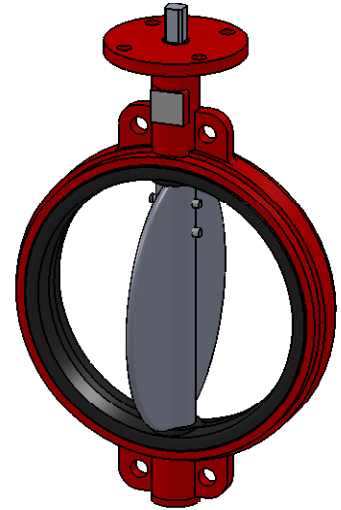
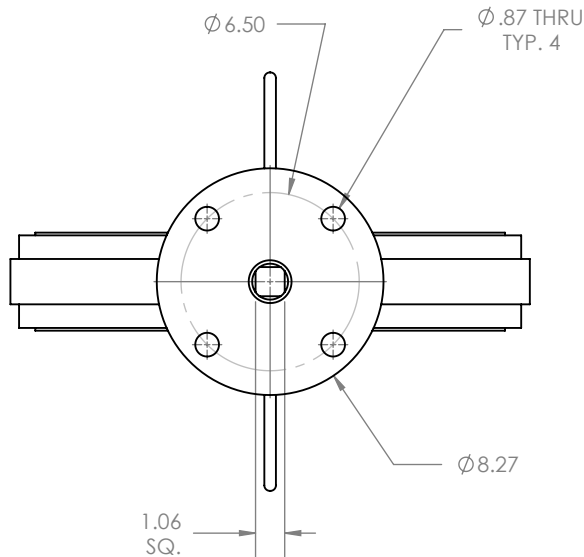


| REVISIONS | | | |
|-----------|----------------|-----------|----------|
| REV. | DESCRIPTION | DATE | APPROVED |
| A1 | INITIAL DESIGN | 7/31/2008 | |



| ITEM NO. | DESCRIPTION | MATERIAL | 16" E8400/QTY. |
|----------|------------------|--|----------------|
| 1 | E8400 BODY (16") | DUCTILE IRON | 1 |
| 2 | SEAT (16") | EPDM, BUNA, PTFE COATED EPDM, NEOPRENE, VITON | 1 |
| 3 | DISC (16") | 316 STAINLESS STEEL | 1 |
| 4 | STEM (16") | 316 STAINLESS STEEL | 1 |
| 5 | END CAP (16") | DUCTILE IRON | 1 |
| 6 | DISC PIN (16") | 316 STAINLESS STEEL | 2 |



PROPRIETARY AND CONFIDENTIAL
 THE INFORMATION CONTAINED IN THIS DRAWING IS THE SOLE PROPERTY OF ELITE VALVE CANADA. ANY REPRODUCTION IN PART OR AS A WHOLE WITHOUT THE WRITTEN PERMISSION OF ELITE VALVE CANADA IS PROHIBITED.

| | NAME | DATE |
|-----------|--------|-----------|
| DRAWN | B. VOS | JUL 31/08 |
| CHECKED | | |
| ENG APPR. | | |
| MFG APPR. | | |
| Q.A. | | |

| | | | |
|---|-----------|----------------------|-----------|
| DESCRIPTION: 16" E8400 BUTTERFLY VALVE | | DWG. NO. 60220422 | |
| MATERIAL: | WEIGHT: # | SHEET 1 OF 1 | SCALE:1:7 |
| CUSTOMER: | SUPPLIER: | REV: A1 | |