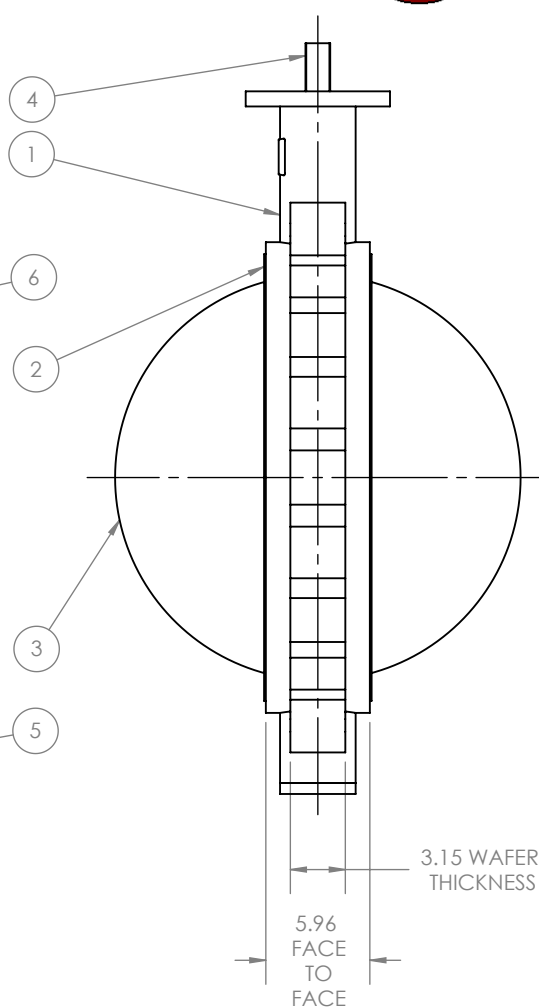
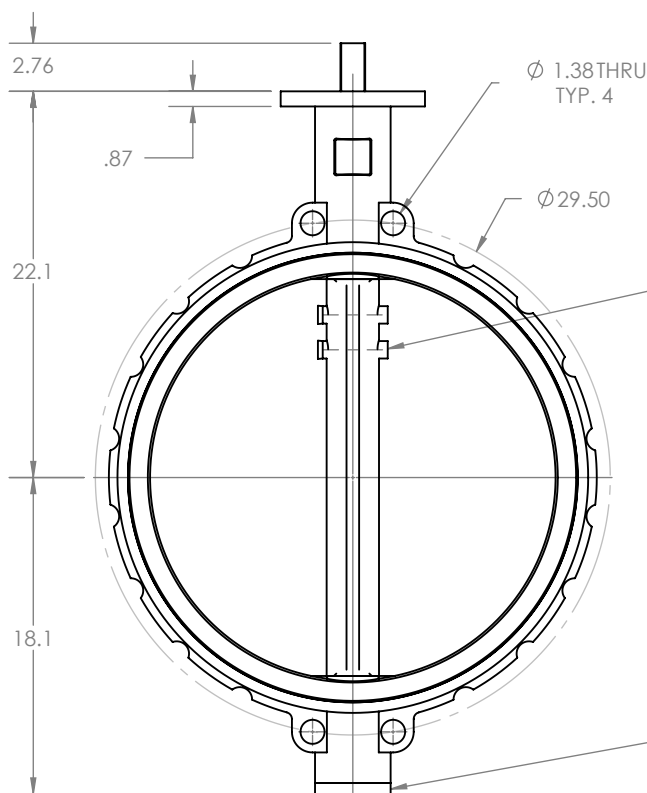
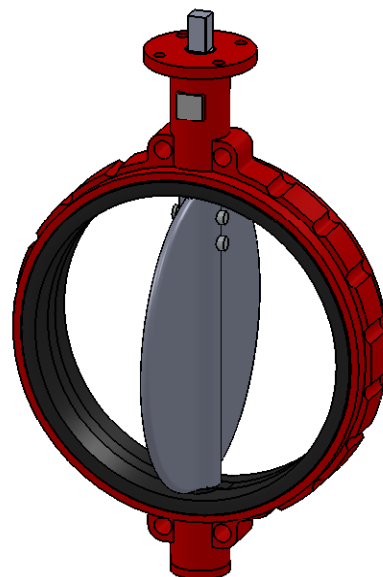
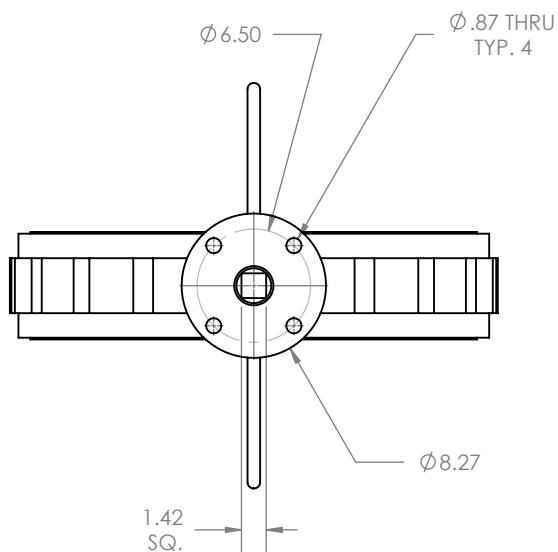


REVISIONS			
REV.	DESCRIPTION	DATE	APPROVED
A1	INITIAL DESIGN	7/31/2008	



ITEM NO.	DESCRIPTION	MATERIAL	24" E8400/QTY.
1	E8400 BODY (24")	DUCTILE IRON	1
2	SEAT (24")	EPDM, BUNA, PTFE COATED EPDM, NEOPRENE, VITON	1
3	DISC (24")	316 STAINLESS STEEL	1
4	STEM (24")	316 STAINLESS STEEL	1
5	END CAP (24")	DUCTILE IRON	1
6	DISC PIN (24")	316 STAINLESS STEEL	2



PROPRIETARY AND CONFIDENTIAL
 THE INFORMATION CONTAINED IN THIS DRAWING IS THE SOLE PROPERTY OF ELITE VALVE CANADA. ANY REPRODUCTION IN PART OR AS A WHOLE WITHOUT THE WRITTEN PERMISSION OF ELITE VALVE CANADA IS PROHIBITED.

	NAME	DATE
DRAWN	B. VOS	JUL 31/08
CHECKED		
ENG APPR.		
MFG APPR.		
Q.A.		

DESCRIPTION:	24" E8400 BUTTERFLY VALVE	DWG. NO.:	60220425
MATERIAL:		WEIGHT: #	
CUSTOMER:		SUPPLIER:	
		SHEET 1 OF 1	SCALE:1:11
		REV: A1	