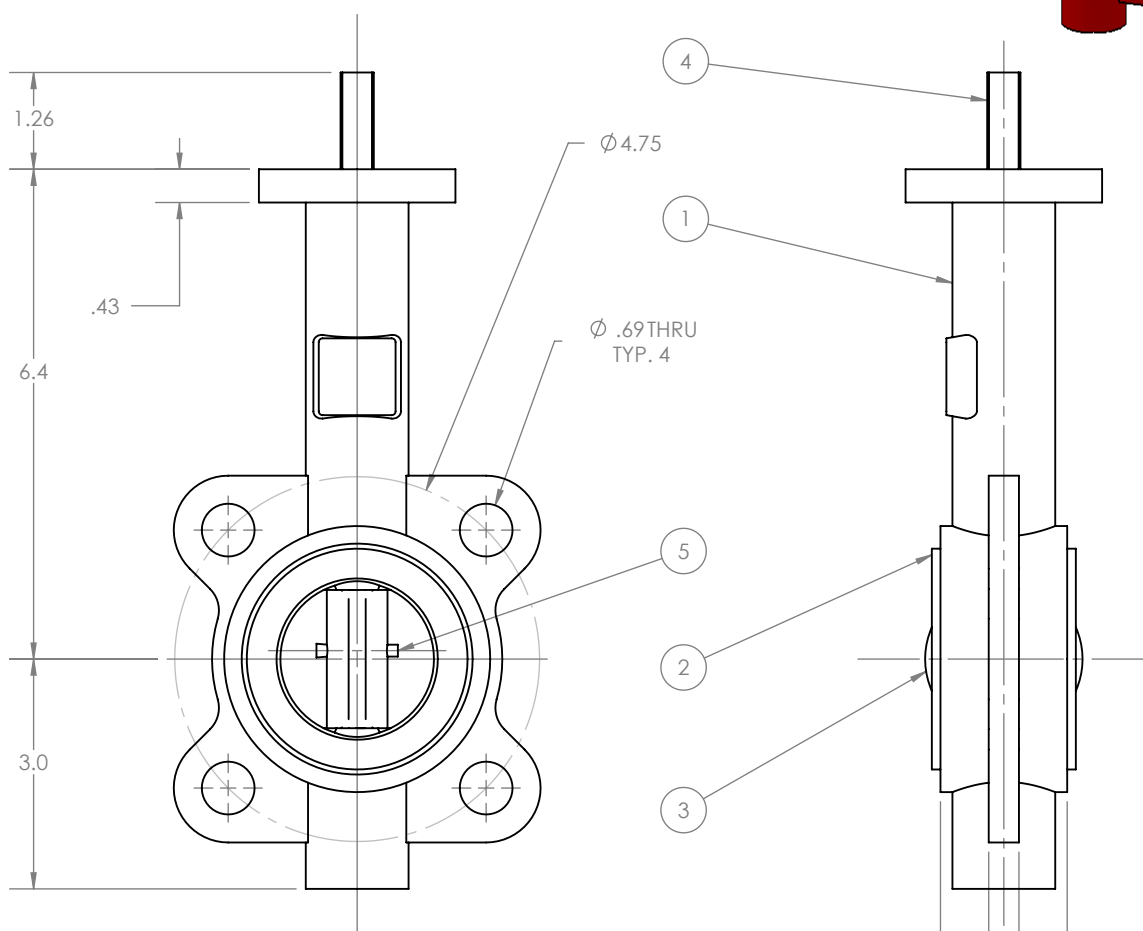
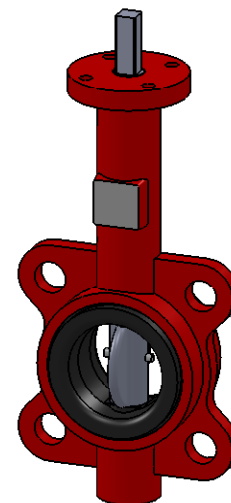
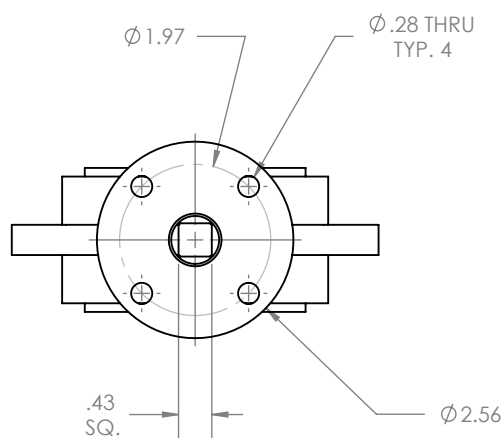


REVISIONS			
REV.	DESCRIPTION	DATE	APPROVED
A1	INITIAL DESIGN	7/28/2008	



ITEM NO.	DESCRIPTION	MATERIAL	2" E8400/QTY.
1	E8400 BODY (2")	DUCTILE IRON	1
2	SEAT (2")	EPDM, BUNA, PTFE COATED EPDM, NEOPRENE, VITON	1
3	DISC (2")	316 STAINLESS STEEL	1
4	STEM (2")	316 STAINLESS STEEL	1
5	DISC PIN (2")	316 STAINLESS STEEL	1



PROPRIETARY AND CONFIDENTIAL
THE INFORMATION CONTAINED IN THIS DRAWING IS THE SOLE PROPERTY OF ELITE VALVE CANADA. ANY REPRODUCTION IN PART OR AS A WHOLE WITHOUT THE WRITTEN PERMISSION OF ELITE VALVE CANADA IS PROHIBITED.

	NAME	DATE
DRAWN	B. VOS	JUL 28/08
CHECKED		
ENG APPR.		
MFG APPR.		
Q.A.		

DESCRIPTION:
2" E8400 BUTTERFLY VALVE

DWG. NO.
60220412

MATERIAL:	WEIGHT: #	SHEET 1 OF 1	SCALE: 1:2.5
CUSTOMER:	SUPPLIER:		REV: A1