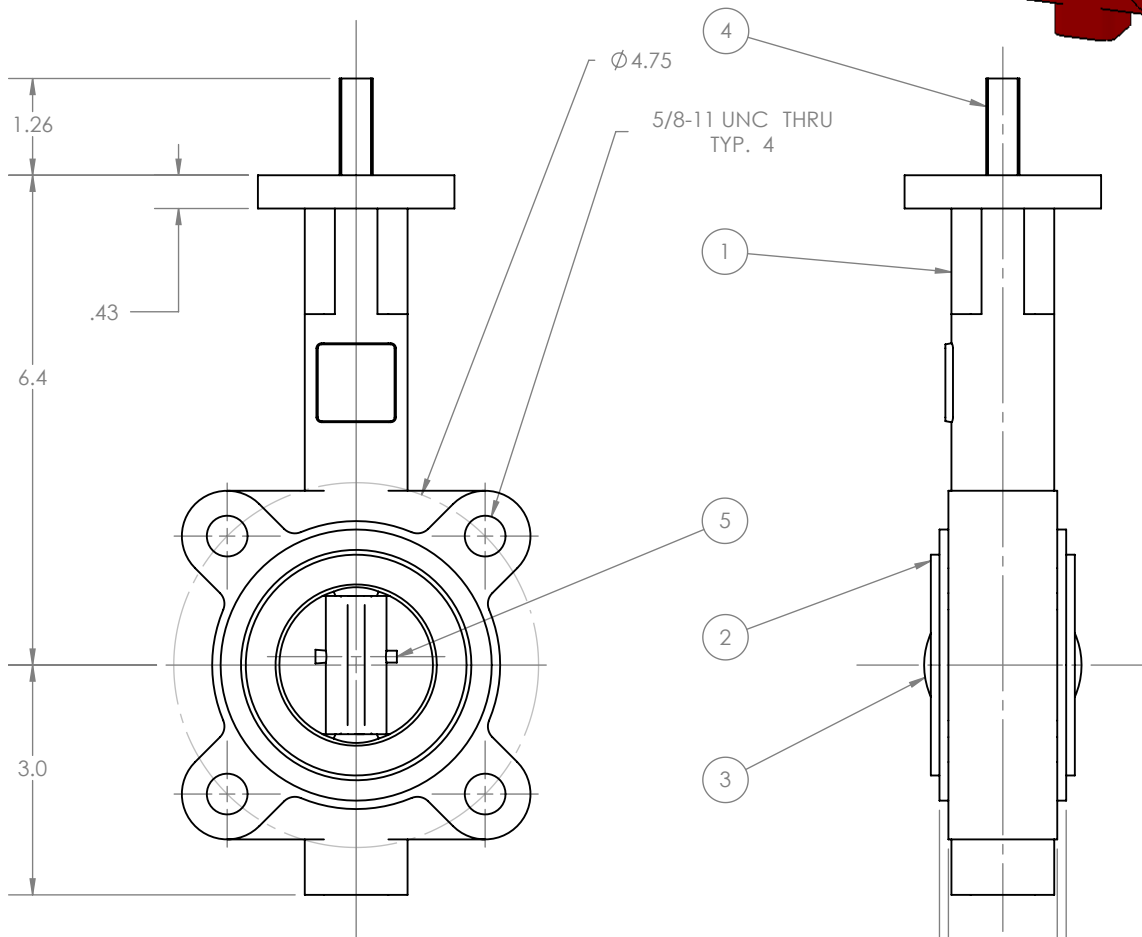
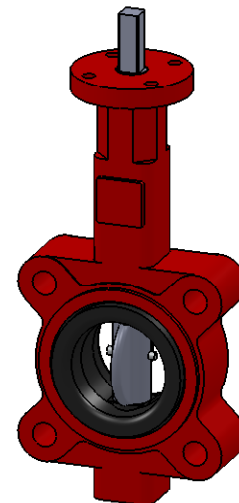
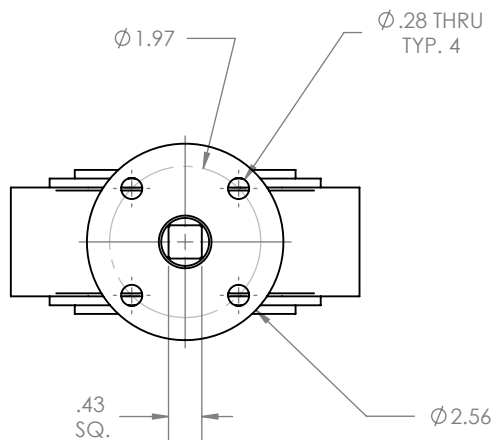


| REVISIONS |                |           |          |
|-----------|----------------|-----------|----------|
| REV.      | DESCRIPTION    | DATE      | APPROVED |
| A1        | INITIAL DESIGN | 7/25/2008 |          |



| ITEM NO. | DESCRIPTION     | MATERIAL                                      | 2" E8500/QTY. |
|----------|-----------------|-----------------------------------------------|---------------|
| 1        | E8500 BODY (2") | DUCTILE IRON                                  | 1             |
| 2        | SEAT (2")       | EPDM, BUNA, PTFE COATED EPDM, NEOPRENE, VITON | 1             |
| 3        | DISC (2")       | 316 STAINLESS STEEL                           | 1             |
| 4        | STEM (2")       | 316 STAINLESS STEEL                           | 1             |
| 5        | DISC PIN (2")   | 316 STAINLESS STEEL                           | 1             |



**PROPRIETARY AND CONFIDENTIAL**  
 THE INFORMATION CONTAINED IN THIS DRAWING IS THE SOLE PROPERTY OF ELITE VALVE CANADA. ANY REPRODUCTION IN PART OR AS A WHOLE WITHOUT THE WRITTEN PERMISSION OF ELITE VALVE CANADA IS PROHIBITED.

|           | NAME   | DATE      |
|-----------|--------|-----------|
| DRAWN     | B. VOS | JUL 25/08 |
| CHECKED   |        |           |
| ENG APPR. |        |           |
| MFG APPR. |        |           |
| Q.A.      |        |           |

|                                          |           |                      |             |
|------------------------------------------|-----------|----------------------|-------------|
| DESCRIPTION:<br>2" E8500 BUTTERFLY VALVE |           | DWG. NO.<br>60220410 |             |
| MATERIAL:                                | WEIGHT: # | SHEET 1 OF 1         | SCALE:1:2.5 |
| CUSTOMER:                                | SUPPLIER: | REV: A1              |             |