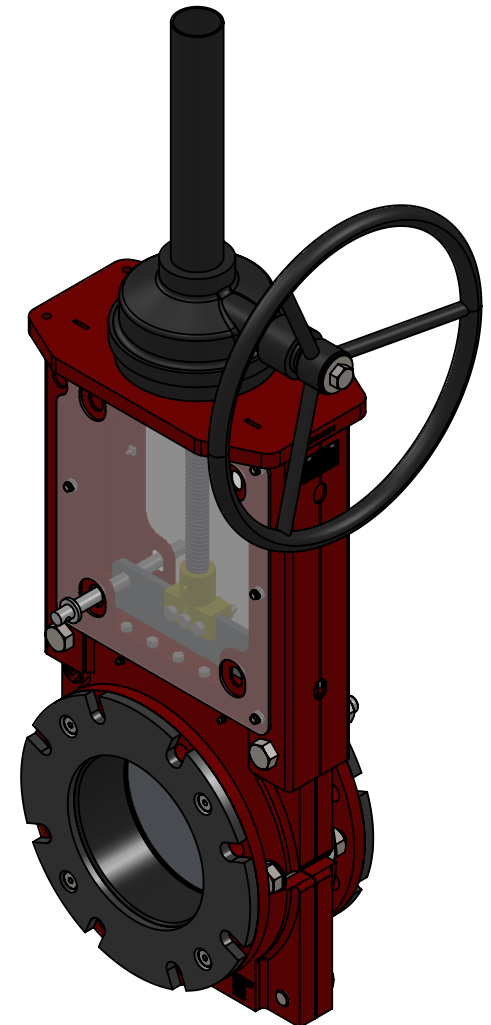
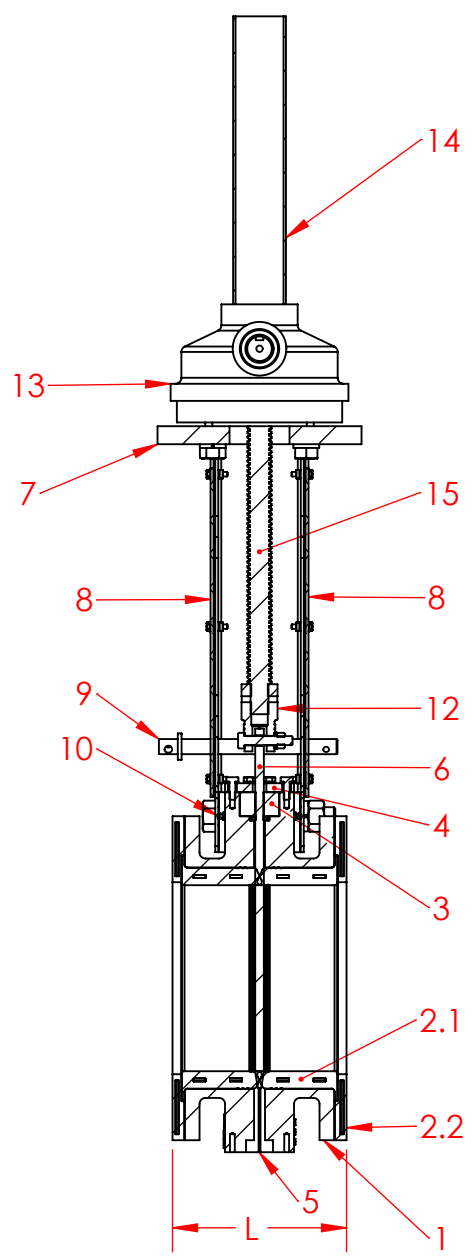
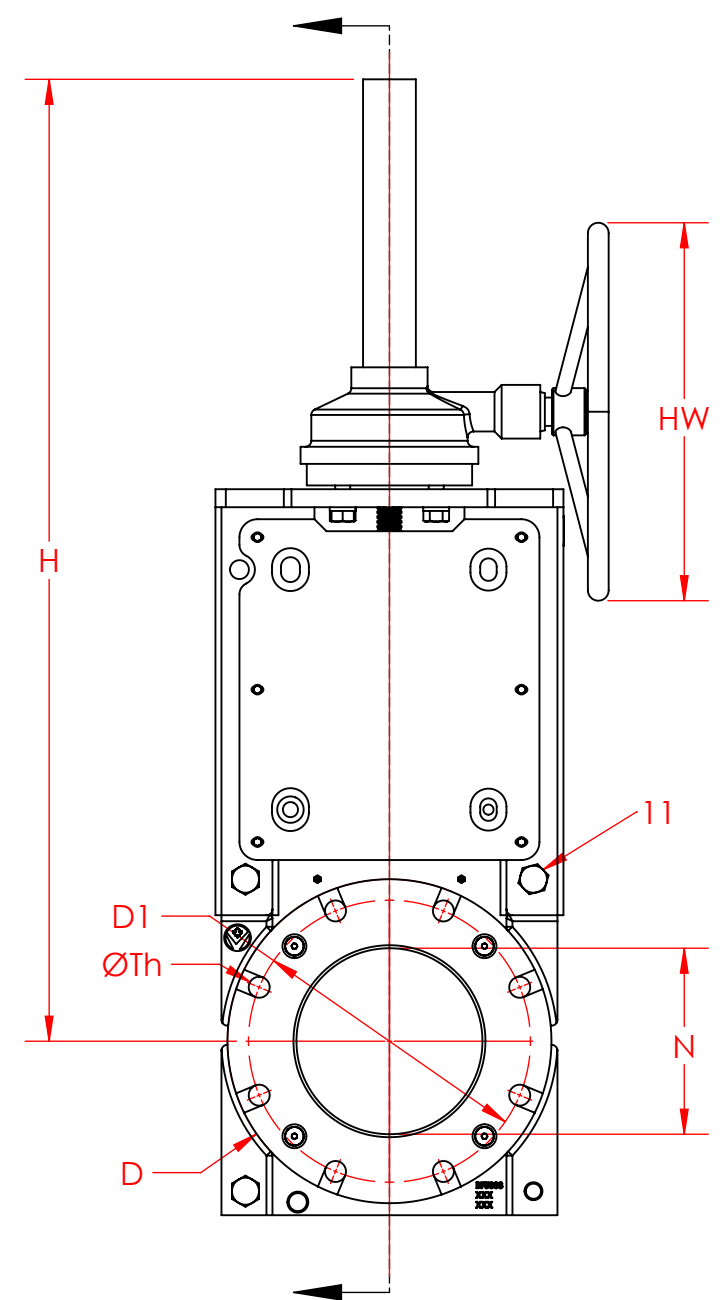


REVISIONS			
REV.	DESCRIPTION	DRAWN	DATE
A	INITIAL RELEASE	RL	2019-02-12



Model	Body	Gate	Seat	TopWorks	Packing	Operator	Size	Options								
E5800	E58	304 SS	1	304 SS	1	Aflas	A	Fabricated Yoke	F	Aflas	A	Bare Stem	B	2	2	None
		316 SS	2	316 SS	2	BUNA	B	304 SS Stanchions	S	BUNA	B	Chainwheel	C	3	3	Xylan Coated Gate
		317 SS	3	317 SS	3	EPDM	E	316 SS Yoke	W	EPDM	E	Chainwheel with Nut	C(N)	4	4	Xylan Coated Wetted Parts
		2205 SS	4	2205 SS	4	Natural Rubber	R	304 SS Yoke	Y	Food Grade	F	Electric On/Off	E	6	6	Chrome Coated Gate
		254 SMO	5	254 SMO	5	HT Silicone	S			Natural Rubber	R	Electric Modulating	E(M)	8	8	Nickel Coated Gate
		RC50	6	RC50	6	Urethane	U			Teflon	T	Gear	G	10	10	Silicone Free
		Inconel 600	7	Inconel 600	7	Viton	V			Viton	V	Gear with Nut	G(N)	12	12	NA Content
		Hastelloy C276	8	Hastelloy C276	8							Gear (Inline)	G(L)	14	14	AIS Requirement
		Alloy 20	9	Alloy 20	9							Gear (Spur)	G(S)	16	16	Oversized Cylinder
		LCC	C	Chrome Plated 304 SS	C							Hydraulic (Cylinder)	H	18	18	Safety Guards
		Ductile Iron	D	2707 SS	H							Lever	L	20	20	Through Port
		2707 SS	H	904L	L							Nut	N	24	24	Stem Extension
		904L	L	17-4 PH	P							Pneumatic (HP Cylinder)	P	28	28	Air Filter / Reg
		Ni-Resist	N	2507 SS	S							Pneumatic (GP Cylinder)	P(G)	30	30	Drain Plate
		2507 SS	S	Titanium	T							Spring Closed (FC)	R	36	36	Wear Ring
		Titanium	T	Carbon Steel	W							Spring Open (FO)	S	42	42	Non-Rising Stem
		WCB	W									Ratchet	T	48	48	Lockouts
												Handwheel	W	54	54	Purge Ports
												Handwheel with Nut	W(N)	60	60	Junction Box Kit
												No Stem (CLA Only)	X	66	66	Solenoid
																Positioner
																Opn/Close Prox Probes
																Stem Protector

NOTE:
- MAXIMUM WORKING PRESSURE
2"-24" - 150PSI
26"-36" - 100PSI
- ASME B16.5 CLASS 150 FLANGE DRILLING 2"-24"
- ASME B16.47 SERIES A CLASS 150 FLANGE DRILLING 26" +
- DIMENSIONS (in)
- WEIGHT (lbs)

ITEM #	DESCRIPTION	MATERIAL
15	STEM	304SS
14	STEM PROTECTOR	STEEL + PAINT
13	GEAR	WCB + PAINT
12	CLEVIS ADAPTER	CF8 (304SS)
11	HARDWARE	18-8SS
10	GREASE NIPPLE	303SS
9	LOCKOUT PIN	17-4SS
8	COVER	ACRYLIC
7	YOKE	REFER TO CHART
6	GATE	REFER TO CHART
5	BODY GASKET	DURLON 8500
4	PACKING FOLLOWER	STEEL + PAINT
3	WIPER	REFER TO CHART
2.2	SEAT RING	REFER TO CHART
2.1	SEAT RING	REFER TO CHART
1	BODY	REFER TO CHART

NPS	L	D	D1	N	ØTh	H	HW	WEIGHT
2	6.88	6.0	4.75	1.81	4 x 0.75	22.0	11.8	66
3	6.88	7.5	6.00	2.81	4 x 0.75	24.0	11.8	82
4	6.88	9.0	7.50	3.88	8 x 0.75	26.0	11.8	100
6	7.00	11.0	9.50	5.81	8 x 0.875	30.0	11.8	127
8	7.25	13.5	11.75	7.75	8 x 0.875	39.5	11.8	201
10	8.88	16.0	14.25	9.81	12 x 1.0	43.5	11.8	274
12	10.13	19.0	17.00	11.50	12 x 1.0	47.5	11.8	402
14	10.13	21.0	18.75	13.25	12 x 1.125	53.5	15.7	646
16	11.00	23.5	21.25	14.75	16 x 1.125	60.5	15.7	846
18	12.25	25.0	22.75	16.75	16 x 1.25	68.0	15.7	1246
20	14.13	27.5	25.00	18.50	20 x 1.25	74.0	23.6	1546
24	14.63	32.0	29.50	23.00	20 x 1.25	88.0	23.6	2405
26	14.38	34.3	31.75	25.00	24 x 1.375	92.0	27.5	2554
28	14.88	36.5	34.00	25.00	28 x 1.375	94.0	27.5	2854
30	15.56	38.8	36.00	29.00	28 x 1.375	110.0	27.5	3154
32	16.19	41.8	38.50	29.00	28 x 1.625	128.0	27.5	3654
36	18.50	46.3	42.75	35.00	32 x 1.625	135.0	27.5	4854

UNLESS OTHERWISE SPECIFIED
INTERPRET DIMENSIONS AND TOLERANCES PER ASME Y14.5M-1994
ALL DIMENSIONS SHOWN APPLY AFTER PLATING AND COATING TOLERANCES APPLY AS SHOWN BELOW

THIRD ANGLE PROJECTION

THE INFORMATION CONTAINED IN THIS DRAWING IS CONFIDENTIAL AND PROPRIETARY AND REMAINS THE EXCLUSIVE PROPERTY OF ELITE VALVE CANADA. THIS DRAWING MAY NOT BE USED, REPRODUCED IN WHOLE OR IN PART, NOR REVEALED TO OTHERS WITHOUT THE WRITTEN CONSENT OF ELITE VALVE CANADA.

BY ACCEPTANCE OF THIS DRAWING, THE BEARER AGREES TO THESE CONDITIONS.

EliteValve
www.elitevalve.com
2305 WYECROFT RD. OAKVILLE, ON, L6L 6R2
TEL: 519.756.3100 FAX: 519.756.3663

DWG NAME: E5800 FLANGED SLURRY KNIFE GATE VALVE, BEVEL GEAR
JOB NO.:
JOB NAME:
DRAWN BY: RL 2020-08-19
CHECKED BY: -
SCALE: 1:8
WEIGHT:
SHEET 1 OF 1