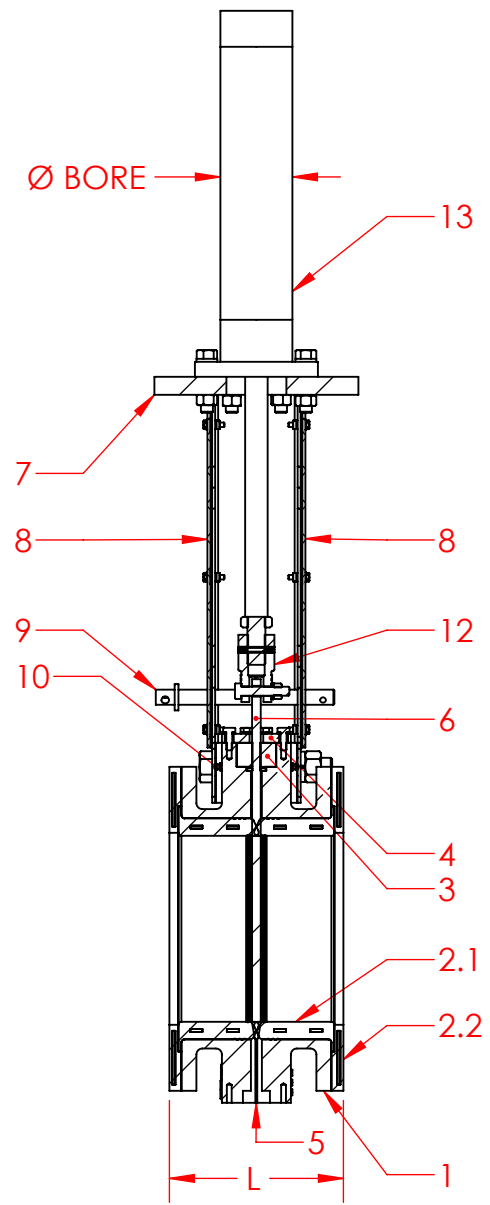
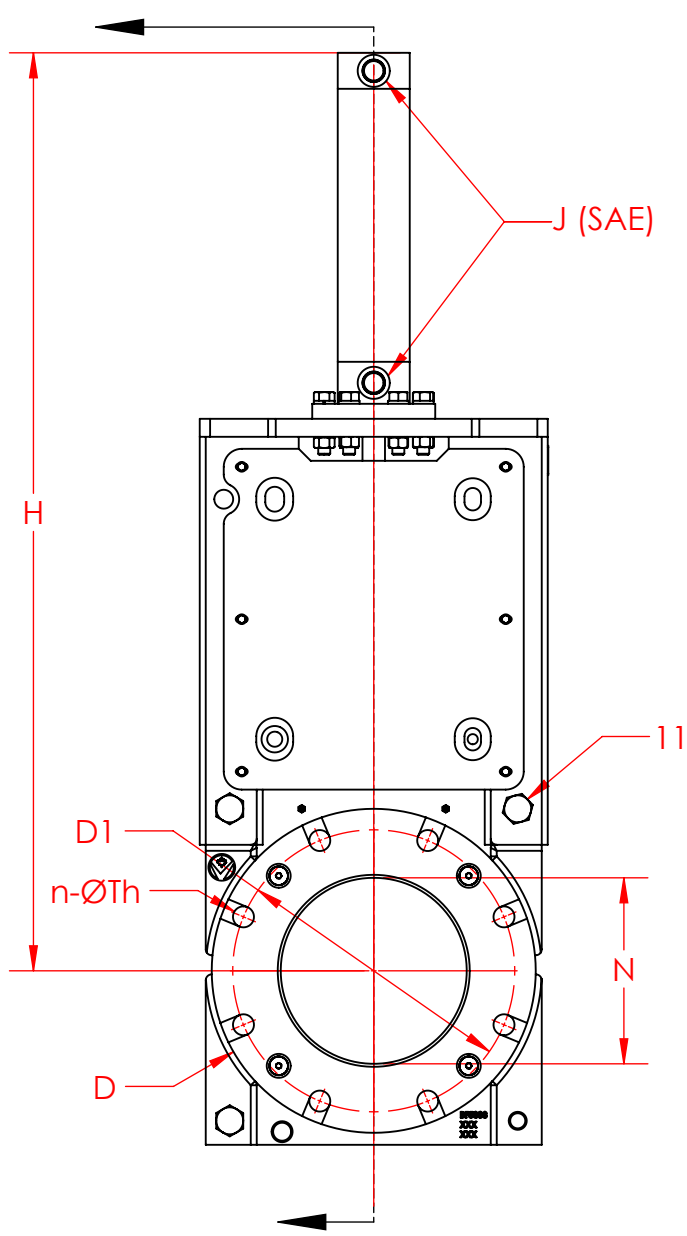


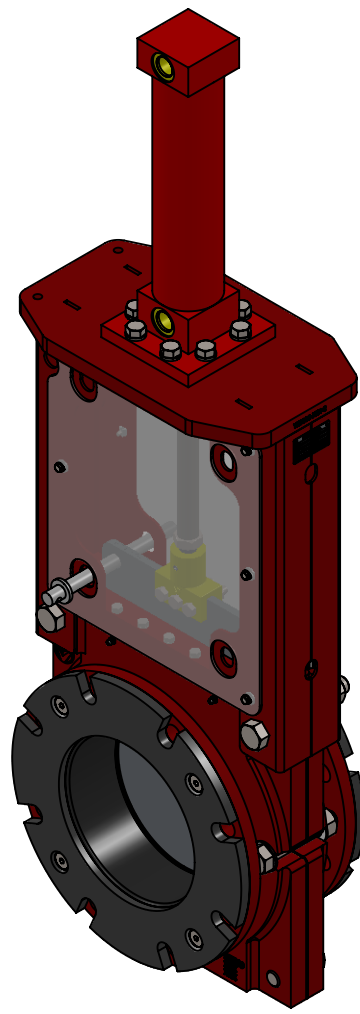
REVISIONS			
REV.	DESCRIPTION	DRAWN	DATE
A	INITIAL RELEASE	RL	2019-02-11



Model	Body	Gate	Seat	TopWorks	Packing	Operator	Size	Options								
E5800	E58	304 SS	1	304 SS	1	Aflas	A	Fabricated Yoke	F	Aflas	A	Bare Stem	B	2	2	None
		316 SS	2	316 SS	2	BUNA	B	304 SS Stanchions	S	BUNA	B	Chainwheel	C	3	3	Xylan Coated Gate
		317 SS	3	317 SS	3	EPDM	E	316 SS Yoke	W	EPDM	E	Chainwheel with Nut	C(N)	4	4	Xylan Coated Wetted Parts
		2205 SS	4	2205 SS	4	Natural Rubber	R		Y	Food Grade	F	Electric On/Off	E	6	6	Chrome Coated Gate
		254 SMO	5	254 SMO	5	HT Silicone	S			Natural Rubber	R	Electric Modulating	E(M)	8	8	Nickel Coated Gate
		RC50	6	RC50	6	Urethane	U			Teflon	T	Gear	G	10	10	Silicone Free
		Inconel 600	7	Inconel 600	7	Viton	V			Viton	V	Gear with Nut	G(N)	12	12	NA Content
		Hastelloy C276	8	Hastelloy C276	8							Gear (Inline)	G(L)	14	14	AIS Requirement
		Alloy 20	9	Alloy 20	9							Gear (Spur)	G(S)	16	16	Oversized Cylinder
		LCC	C	Chrome Plated 304 SS	C							Hydraulic (Cylinder)	H	18	18	Safety Guards
		Ductile Iron	D	2707 SS	H							Lever	L	20	20	Through Port
		2707 SS	H	904L	L							Nut	N	24	24	Stem Extension
		904L	L	17-4 PH	P							Pneumatic (HP Cylinder)	P	28	28	Air Filter / Reg
		Ni-Resist	N	2507 SS	S							Pneumatic (GP Cylinder)	P(G)	30	30	Drain Plate
		2507 SS	S	Titanium	T							Spring Closed (FC)	R	36	36	Wear Ring
		Titanium	T	Carbon Steel	W							Spring Open (FO)	S	42	42	Non-Rising Stem
		WCB	W									Ratchet	T	48	48	Lockouts
												Handwheel	W	54	54	Purge Ports
												Handwheel with Nut	W(N)	60	60	Junction Box Kit
												No Stem (CLA Only)	X	66	66	Solenoid
																Positioner
																Opn/Close Prox Probes
																Stem Protector

**NOTE:**  
- MAXIMUM WORKING PRESSURE CLASS  
2"-24" = 150PSI  
26"-48" = 100PSI  
- OTHER PRESSURE RATINGS AVAILABLE UPON REQUEST  
- HYDRAULIC CYLINDER RATED FOR 3000PSI  
- HYDRAULIC CYLINDER SIZED FOR 1600PSI SUPPLY  
- ASME B16.5 CLASS 150 FLANGE DRILLING 2"-24"  
- ASME B16.47 SERIES A CLASS 150 FLANGE DRILLING 26"-48"  
- WEIGHT (lbs)  
- DIMENSIONS (in)

NPS	L	D	D1	N	ØTh	J (SAE)	H	BORE	WEIGHT
2	6.88	6.0	4.75	1.81	4 x 0.75	SAE -10	18.9	1.50	58
3	6.88	7.5	6.00	2.81	4 x 0.75	SAE -10	21.1	1.50	73
4	6.88	9.0	7.50	3.88	8 x 0.75	SAE -10	23.9	2.00	96
6	7.00	11.0	9.50	5.81	8 x 0.875	SAE -10	30.0	2.00	150
8	7.25	13.5	11.75	7.75	8 x 0.875	SAE -10	36.4	2.00	214
10	8.88	16.0	14.25	9.81	12 x 1.0	SAE -10	42.6	2.00	355
12	10.13	19.0	17.00	11.50	12 x 1.0	SAE -10	47.5	2.50	472
14	10.13	21.0	18.75	13.25	12 x 1.125	SAE -10	57.6	2.50	730
16	11.00	23.5	21.25	14.75	16 x 1.125	SAE -12	62.6	3.25	915
18	12.25	25.0	22.75	16.75	16 x 1.25	SAE -12	68.5	3.25	1375
20	14.13	27.5	25.00	18.50	20 x 1.25	SAE -12	78.5	4.00	1761
24	14.63	32.0	29.50	23.00	20 x 1.25	SAE -12	90.8	5.00	2794
26	14.38	34.25	31.75	25.0	24 x 1.375	SAE -12	108.0	5.00	3015
28	14.88	35.50	34.00	25.0	28 x 1.375	SAE -12	111.0	5.00	3465
30	15.57	38.75	36.00	29.0	28 x 1.375	SAE -16	121.0	6.00	3825
32	16.19	41.75	38.50	29.0	28 x 1.625	SAE -16	127.0	6.00	4365
36	18.50	46.00	42.75	35.0	32 x 1.625	SAE -16	134	6.00	5895
42	21.13	53.00	49.50	41.0	36 x 1.625	SAE -20	160	7.00	7920
48	21.13	59.50	56.00	46.8	44 x 1.625	SAE -24	173	8.00	10710



ITEM #	DESCRIPTION	MATERIAL
13	HYDRAULIC CYLINDER	STEEL + PAINT
12	CLEVIS ADAPTER	304SS
11	HARDWARE	18-8SS
10	GREASE NIPPLE	303SS
9	LOCKOUT PIN	17-4SS
8	COVER	ACRYLIC
7	YOKE	REFER TO CHART
6	GATE	REFER TO CHART
5	BODY GASKET	DURLON 8500
4	PACKING FOLLOWER	STEEL + PAINT
3	WIPER	REFER TO CHART
2.2	SEAT RING RETAINER	REFER TO CHART
2.1	SEAT RING	REFER TO CHART
1	BODY	REFER TO CHART

UNLESS OTHERWISE SPECIFIED  
INTERPRET DIMENSIONS AND TOLERANCES PER ASME Y14.5M-1994  
ALL DIMENSIONS SHOWN APPLY AFTER PLATING AND COATING TOLERANCES APPLY AS SHOWN BELOW

FRACTIONS ± 1/32 NONE ± .02  
ANGLES ± .1° .X ± 0.1  
SURFACE FINISH 32 ✓ .XX ± .01  
UOM INCH .XXX ± .005

THIRD ANGLE PROJECTION

THE INFORMATION CONTAINED IN THIS DRAWING IS CONFIDENTIAL AND PROPRIETARY AND REMAINS THE EXCLUSIVE PROPERTY OF ELITE VALVE CANADA. THIS DRAWING MAY NOT BE USED, REPRODUCED IN WHOLE OR IN PART, NOR REVEALED TO OTHERS WITHOUT THE WRITTEN CONSENT OF ELITE VALVE CANADA.

BY ACCEPTANCE OF THIS DRAWING, THE BEARER AGREES TO THESE CONDITIONS.

EliteValve  
www.elitevalve.com

2305 WYECROFT RD. OAKVILLE, ON, L6L 6R2  
TEL: 519.756.3100 FAX: 519.756.3663

DWG NAME: E5800 FLANGED SLURRY KNIFE GATE VALVE, HYDRAULIC CYLINDER  
JOB NO.:  
JOB NAME:  
DRAWN BY: RL 2020-08-19  
CHECKED BY: -  
SIZE B SCALE: 1:8 WEIGHT: - SHEET 1 OF 1