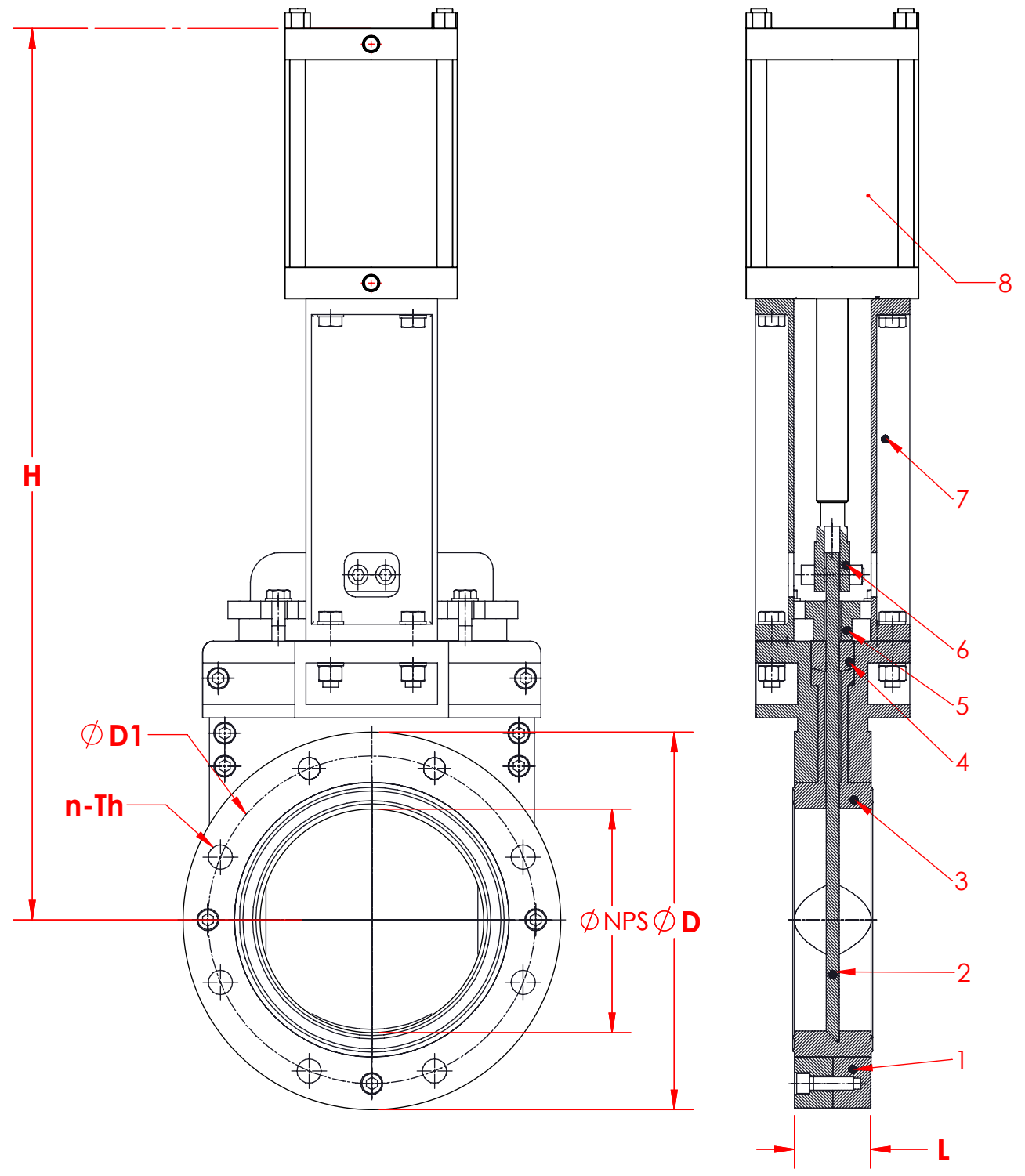


REVISIONS			
REV.	DESCRIPTION	DRAWN	DATE
A	INITIAL RELEASE	BDK	2022-01-20

Model	Body	Gate	Seat	TopWorks	Packing	Operator	Size	Options
E5900 E59	304 SS 1	304 SS 1	RCS0 6	Fabricated Yoke F	Aflas A	Bare Stem B	2 2	None
	316 SS 2	316 SS 2	Aflas A	Pressure Bonnet P	BUNA B	Chainwheel C	3 3	Xylan Coated Gate 1
	317 SS 3	317 SS 3	BUNA B	304 SS Stanchions S	Ceramic 1500F C	Chainwheel with Nut C(N)	4 4	Xylan Coated Wetted Parts 2
	2205 SS 4	2205 SS 4	EPDM E	316 SS Yoke W	EPDM E	Electric On/Off E	6 6	Chrome Coated Gate 3
	254 SMO 5	254 SMO 5	RTFE G	304 SS Yoke Y	Food Grade F	Electric Modulating E(M)	8 8	Nickel Coated Gate 4
	RCS0 6	RCS0 6	Metal M		Teflon w/Kevlar K	Gear G	10 10	Silicone Free 7
	Inconel 600 7	Inconel 600 7	17-4 PH P		Graphite G	Gear with Nut G(N)	12 12	NA Content 8
	Hastelloy C276 8	Hastelloy C276 8	Natural Rubber R		Natural Rubber R	Gear (Inline) G(L)	14 14	AIS Requirement 9
	Alloy 20 9	Alloy 20 9	HT Silicone S		Teflon T	Gear (Spur) G(S)	16 16	Oversized Cylinder A
	LCC C	Chrome Plated 304 SS C	Teflon (SI Core) T		Viton V	Hydraulic (Cylinder) H	18 18	Safety Guards B
	Ductile Iron D	2707 SS D	Urethane U			Lever L	20 20	Through Port C
	2707 SS H	904L H	Viton V			Nut N	24 24	Dual Seat D
	904L L	17-4 PH L				Pneumatic (HP Cylinder) P	28 28	Stem Extension E
	Ni-Resist N	2507 SS N				Pneumatic (GP Cylinder) P(G)	30 30	Air Filter / Reg F
	2507 SS S	Titanium S				Spring Closed (FC) R	36 36	Energized G
	Titanium T	Carbon Steel T				Spring Open (FO) S	42 42	Horseshoe H
	WCB W					Ratchet T	48 48	Internal Liners I
						Handwheel W	54 54	Drain Plate J
						Handwheel with Nut W(N)	60 60	Wear Ring K
						No Stem (CLA Only) X	66 66	Live Loaded Packing L
								Non-Rising Stem N
								Lockouts O
								Purge Ports P
								Junction Box Kit Q
								Solenoid S



NOTE:
 - DESIGNED FOR FLAT FACED FLANGE
 - MAXIMUM WORKING PRESSURE 150PSI
 - DESIGNED AND TESTED AS PER **MSS-SP81**
 - PNEUMATIC CYLINDER RATED TO 150PSI
 - PNEUMATIC CYLINDER SIZED FOR 80PSI SUPPLY
 - DIMENSIONS (in)
 - WEIGHT (lbs)

ITEM #	DESCRIPTION	MATERIAL
8	PNEUMATIC CYLINDER	REFER TO DWG
7	YOKE	REFER TO TABLE
6	CLEVIS	410ss
5	PACKING FOLLOWER	SAME AS BODY
4	PACKING	REFER TO TABLE
3	LINER	REFER TO TABLE
2	GATE	REFER TO TABLE
1	BODY	REFER TO TABLE

NPS	L	D	D1	n-Th	H	WEIGHT
14	3.00	21.00	18.75	12 x 1"-8	51.80	544
16	3.50	23.50	22.50	16 x 1"-8	60.50	733
18	3.50	25.00	22.75	16 x 1-1/8"-7	67.30	950
20	4.50	27.50	25.00	20 x 1-1/8"-7	74.00	1020
24	4.50	32.00	29.50	20 X 1-1/4"-7	85.00	2385

UNLESS OTHERWISE SPECIFIED
 INTERPRET DIMENSIONS AND TOLERANCES PER ASME Y14.5M-1994
 ALL DIMENSIONS SHOWN APPLY AFTER PLATING AND COATING TOLERANCES APPLY AS SHOWN BELOW

THIRD ANGLE PROJECTION

THE INFORMATION CONTAINED IN THIS DRAWING IS CONFIDENTIAL AND PROPRIETARY AND REMAINS THE EXCLUSIVE PROPERTY OF ELITE VALVE CANADA. THIS DRAWING MAY NOT BE USED, REPRODUCED IN WHOLE OR IN PART, NOR REVEALED TO OTHERS WITHOUT THE WRITTEN CONSENT OF ELITE VALVE CANADA.

BY ACCEPTANCE OF THIS DRAWING, THE BEARER AGREES TO THESE CONDITIONS.

EliteValve
 www.elitevalve.com
 2305 WYECROFT RD. OAKVILLE, ON, L6L 6R2
 TEL: 519.756.3100
 FAX: 519.756.3663

DWG NAME: E5900 URETHANE LINED KGV, DI BODY, 304SS CHROME PLATED GATE, URETHANE SEAT, POWDER COATED STEEL YOKE, PNEUMATIC CYLINDER
 DWG NO: E59XXXFXP-XX (14in-24in)
 REV: A

DRAWN BY: RL 2019-06-03
 CHECKED BY: ML 2019-06-03
 SCALE: - WEIGHT: - LBS
 SHEET 1 OF 1