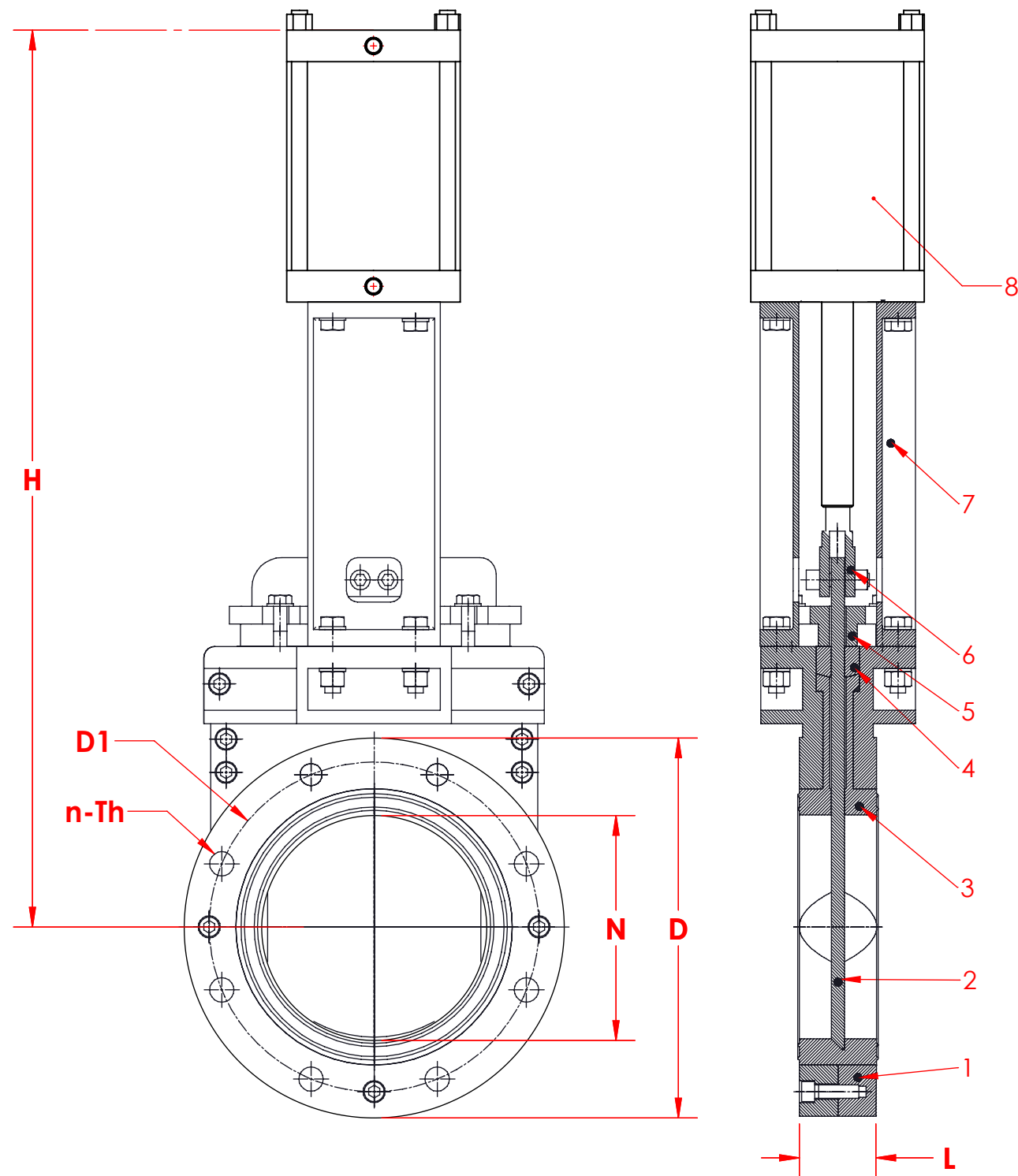


REVISIONS			
REV.	DESCRIPTION	DRAWN	DATE
A	INITIAL RELEASE	RL	2019-06-03

Model	Body	Gate	Seat	TopWorks	Packing	Operator	Size	Options								
E5900	E59	304 SS	1	304 SS	1	RC50	6	Fabricated Yoke	F	Aflas	A	Bare Stem	B	2	2	None
		316 SS	2	316 SS	2	Aflas	A	Pressure Bonnet	P	BUNA	B	Chainwheel	C	3	3	Xylan Coated Gate
		317 SS	3	317 SS	3	BUNA	B	304 SS Stanchions	S	Ceramic 1500F	C	Chainwheel with Nut	C(N)	4	4	Xylan Coated Wetted Parts
		2205 SS	4	2205 SS	4	EPDM	E	316 SS Yoke	E	EPDM	E	Electric On/Off	E	6	6	Chrome Coated Gate
		254 SMO	5	254 SMO	5	RTFE	G	304 SS Yoke	Y	Food Grade	F	Electric Modulating	E(M)	8	8	Nickel Coated Gate
		RC50	6	RC50	6	Metal	M			Teflon w/Kevlar	K	Gear	G	10	10	Silicone Free
		Inconel 600	7	Inconel 600	7	17-4 PH	P			Graphite	G	Gear with Nut	G(N)	12	12	NA Content
		Hastelloy C276	8	Hastelloy C276	8	Natural Rubber	R			Natural Rubber	R	Gear (Inline)	G(L)	14	14	AIS Requirement
		Alloy 20	9	Alloy 20	9	HT Silicone	S			Teflon	T	Gear (Spur)	G(S)	16	16	Oversized Cylinder
		LCC	C	Chrome Plated 304 SS	C	Teflon (Si Core)	T			Viton	V	Hydraulic (Cylinder)	H	18	18	Safety Guards
		Ductile Iron	D	2707 SS	H	Urethane	U					Lever	L	20	20	Through Port
		2707 SS	H	904L	L	Viton	V					Nut	N	24	24	Dual Seat
		904L	L	17-4 PH	P							Pneumatic (HP Cylinder)	P	28	28	Stem Extension
		Ni-Resist	N	2507 SS	S							Pneumatic (GP Cylinder)	P(G)	30	30	Air Filter / Reg
		2507 SS	S	Titanium	T							Spring Closed (FC)	R	36	36	Energized
		Titanium	T	Carbon Steel	W							Spring Open (FO)	S	42	42	Horseshoe
		WCB	W									Ratchet	T	48	48	Internal Liners
												Handwheel	W	54	54	Drain Plate
												Handwheel with Nut	W(N)	60	60	Wear Ring
												No Stem (CLA Only)	X	66	66	Live Loaded Packing
																Non-Rising Stem
																Lockouts
																Purge Ports
																Junction Box Kit
																Solenoid



NOTE:
 - DESIGNED FOR FLAT FACED FLANGE
 - MAXIMUM WORKING PRESSURE 150PSI
 - DESIGNED AND TESTED AS PER **MSS-SP81**
 - PNEUMATIC CYLINDER RATED TO 150PSI
 - PNEUMATIC CYLINDER SIZED FOR 80PSI SUPPLY
 - DIMENSIONS (in)
 - WEIGHT (lbs)

ITEM #	DESCRIPTION	MATERIAL
8	PNEUMATIC CYLINDER	REFER TO DWG
7	YOKE	REFER TO TABLE
6	CLEVIS	410ss
5	PACKING FOLLOWER	SAME AS BODY
4	PACKING	REFER TO TABLE
3	LINER	REFER TO TABLE
2	GATE	REFER TO TABLE
1	BODY	REFER TO TABLE

NPS	L	D	D1	n-Th	N	H	WEIGHT
2	1.88	6.00	4.75	4 x 5/8"-11	2.00	15.0	48
3	2.00	7.50	6.00	4 x 5/8"-11	3.00	19.1	60
4	2.00	9.00	7.50	8 x 5/8"-11	4.00	21.8	63
6	2.25	11.00	9.50	8 x 3/4"-10	6.00	28.7	95
8	2.75	13.50	11.75	8 x 3/4"-10	8.00	34.9	136
10	2.75	16.00	14.25	12 x 7/8"-9	10.00	39.9	157
12	3.00	19.00	17.00	12 x 7/8"-9	12.00	45.6	227

UNLESS OTHERWISE SPECIFIED
 INTERPRET DIMENSIONS AND TOLERANCES PER ASME Y14.5M-1994
 ALL DIMENSIONS SHOWN APPLY AFTER PLATING AND COATING TOLERANCES APPLY AS SHOWN BELOW

THIRD ANGLE PROJECTION

THE INFORMATION CONTAINED IN THIS DRAWING IS CONFIDENTIAL AND PROPRIETARY AND REMAINS THE EXCLUSIVE PROPERTY OF ELITE VALVE CANADA. THIS DRAWING MAY NOT BE USED, REPRODUCED IN WHOLE OR IN PART, NOR REVEALED TO OTHERS WITHOUT THE WRITTEN CONSENT OF ELITE VALVE CANADA.

BY ACCEPTANCE OF THIS DRAWING, THE BEARER AGREES TO THESE CONDITIONS.

EliteValve
 www.elitevalve.com

2305 WYECROFT RD. OAKVILLE, ON, L6L 6R2
 TEL: 519.756.3100
 FAX: 519.756.3663

DWG NO: E5900 URETHANE LINED KGV, DI BODY, 304SS CHROME PLATED GATE, URETHANE SEAT, POWDER COATED STEEL YOKE, PNEUMATIC CYLINDER
 JOB NO: E59XXXXP-XX (2in-12in)
 REV: A

DRAWN BY: RL 2019-06-03
 CHECKED BY: ML 2019-06-03
 SCALE: - WEIGHT: - LBS SHEET 1 OF 1